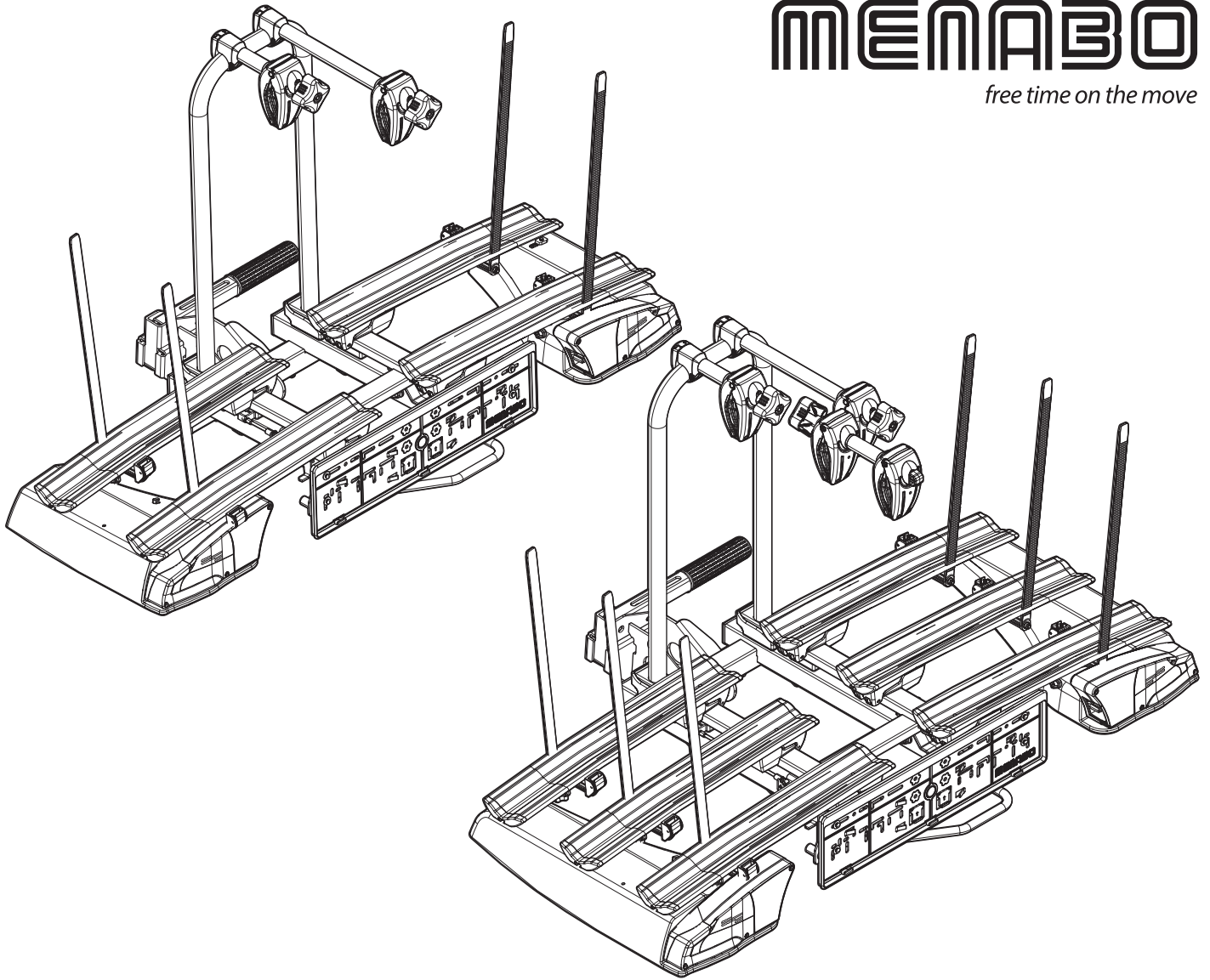


MENABO

free time on the move

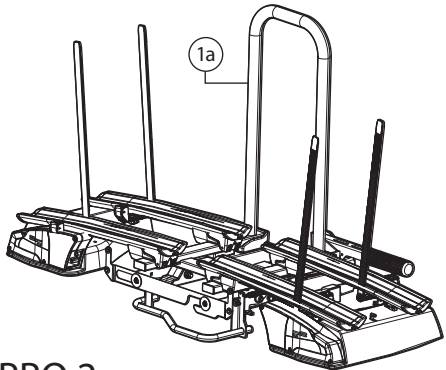
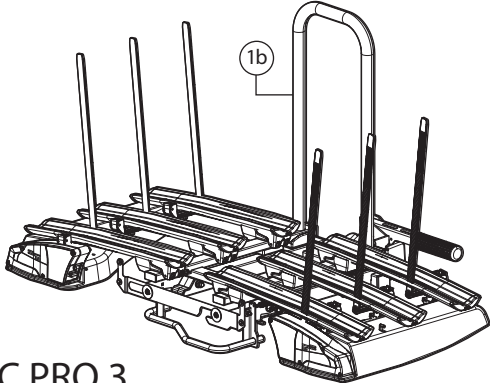
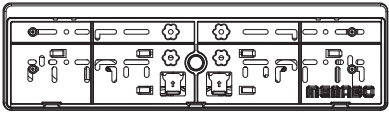

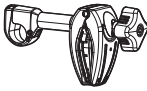
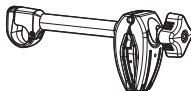
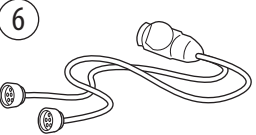
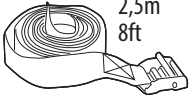


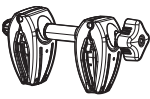



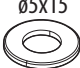


COSMIC PRO

IT Istruzioni di montaggio	ET Paigaldusjuhend	PT Instruções de Montagem
EN Fitting instructions	FI Asennusohje	RO Instrucțiuni de montare
DE Montageanleitung	HR Uputa za sastavljanje	RU Инструкции по установке
FR Instructions de montage	HU A felszerelés módja	SK Návod na montáž
ES Instrucciones de montaje	LT Pritvirtinimo instrukcijos	SL Navodila za pritrjevanje
BG инструкции за сглобяване	LV Stiprināšanas instrukcija	SV Monteringsanvisning
CS Návod na montáž	NL Montagehandleiding	TK Uydurma talimat
DA Monteringsvejledning	NO Monteringsanvisning	ZH 裝修指導
EL Οδηγίες συναρμολόγησης	PL Instrukcja montażu	AR كتيب التعليمات

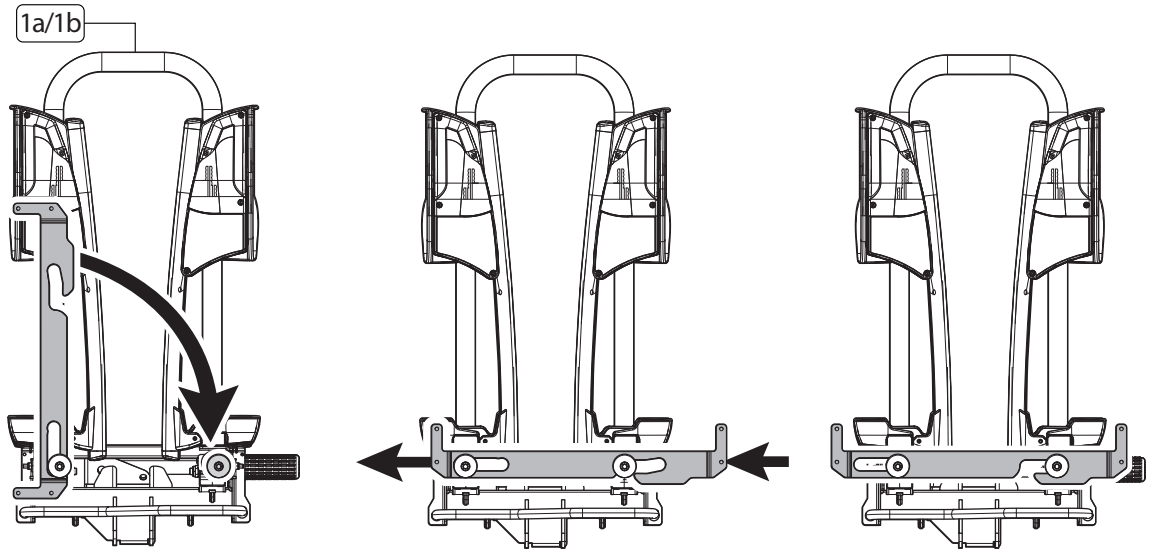


**IT) Componenti (Inclusi) | EN) Components (Included) | FR) Composants (Comprises)
 DE) Die Komponenten (im Lieferumfang enthalten) | ES) Componentes (Incluido)**

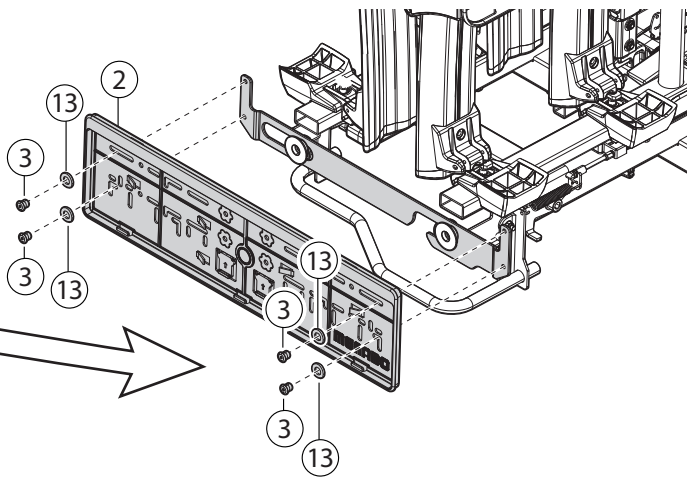
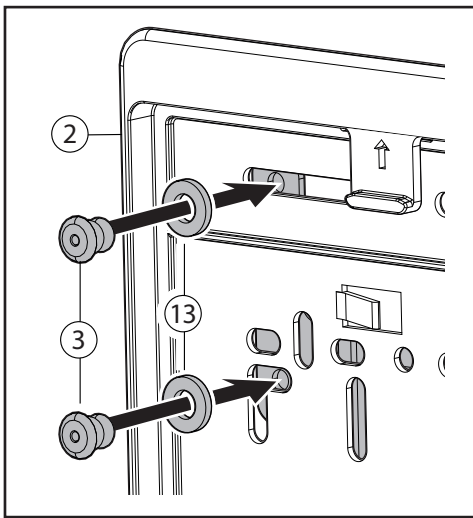
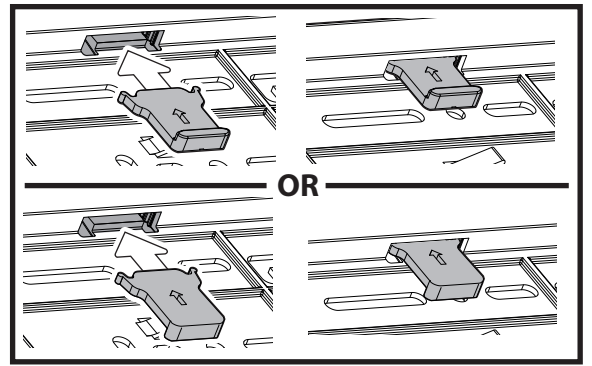
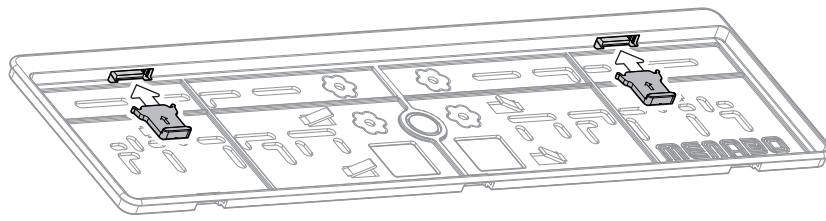
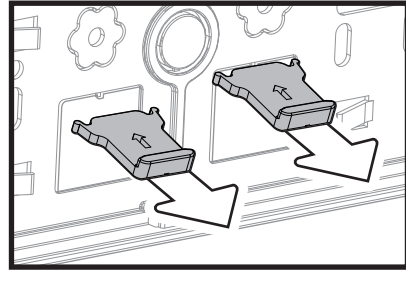
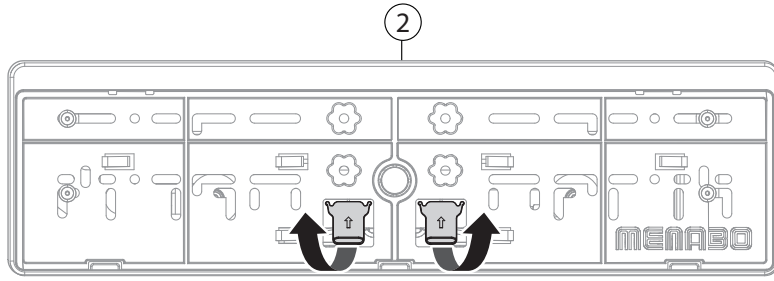
 <p>COSMIC PRO 2</p>		 <p>COSMIC PRO 3</p>									
 <p>x1</p>		 <p>x4</p>		 <p>x1</p>		 <p>x1</p>					
 <p>x1</p>		 <p>x1</p>		 <p>x1</p>		 <p>x1</p>		<p>10 COSMIC PRO 3 ONLY</p>  <p>x1</p>			
 <p>11a</p>		 <p>11b</p>		 <p>12</p>		 <p>13</p>					
<p>COSMIC PRO 2</p> <p>x2</p>		<p>COSMIC PRO 3</p> <p>x3</p>		<p>COSMIC PRO 2</p> <p>x2</p>		<p>COSMIC PRO 3</p> <p>x3</p>		<p>x10</p>		<p>x4</p>	

①

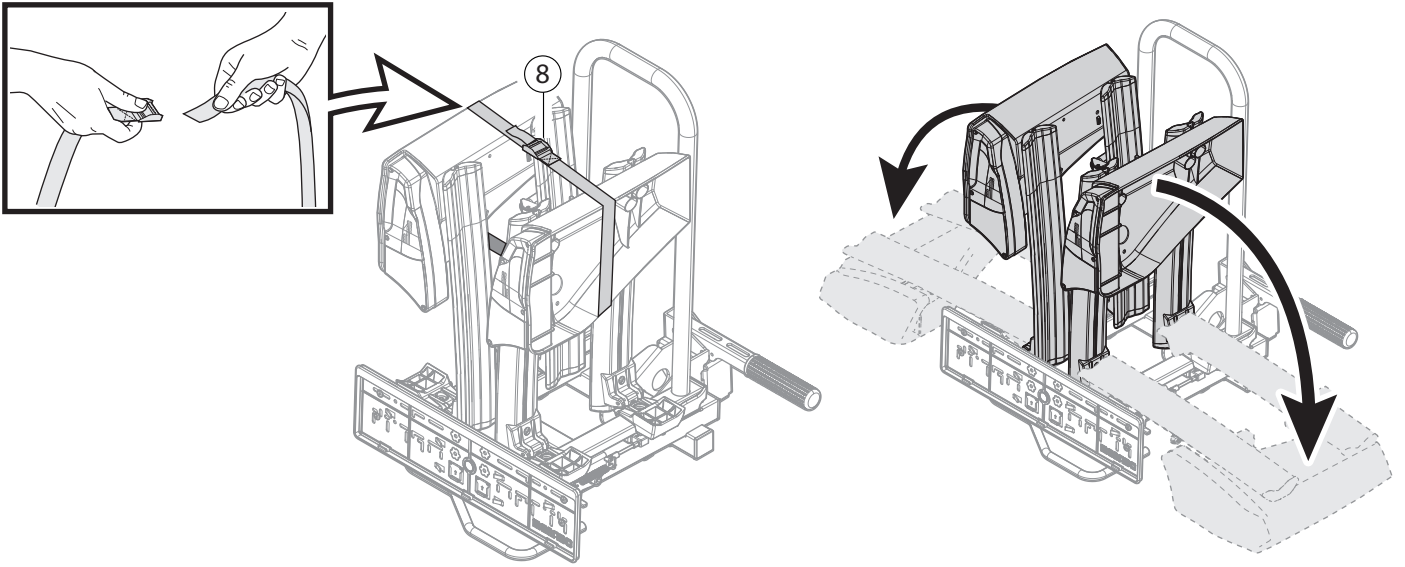
N		Q
1a		1
1b		1
2		1
3		4
13		4



②

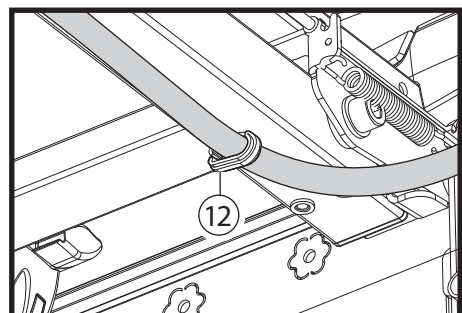
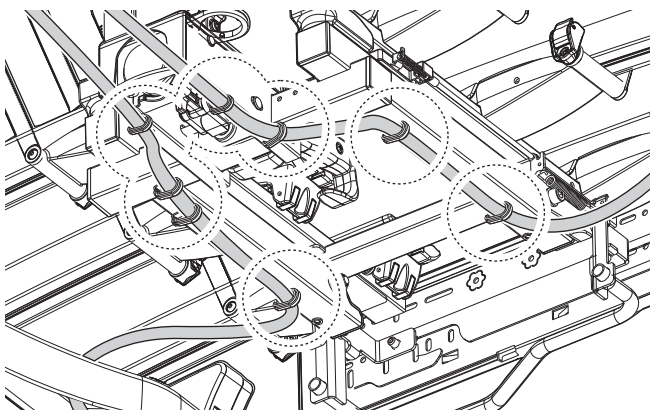
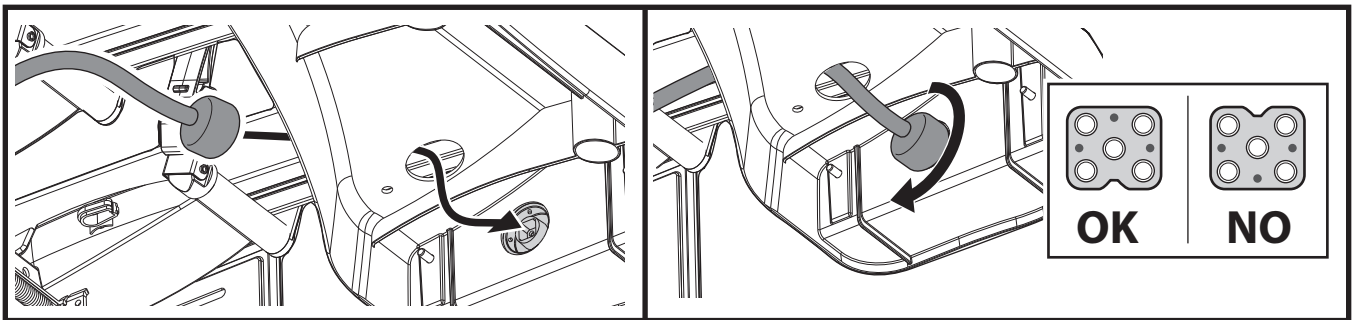
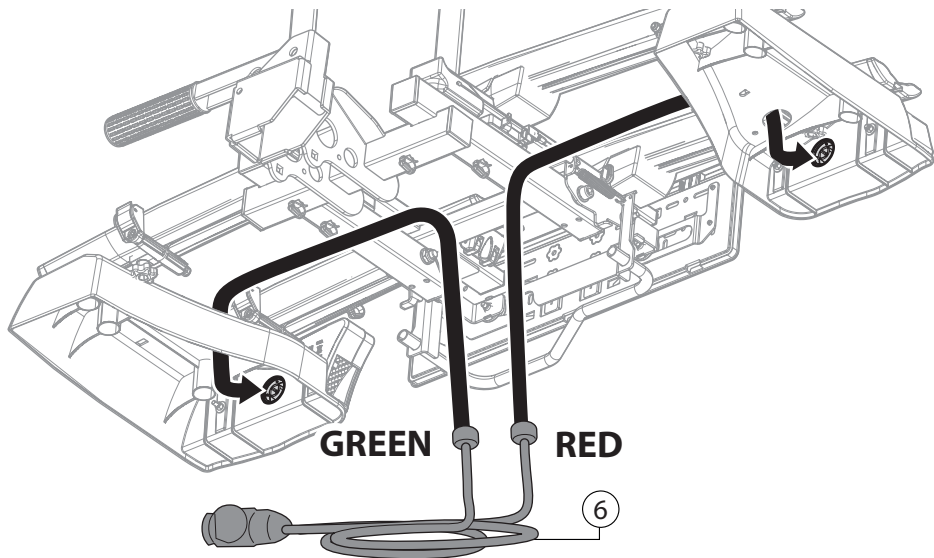


3

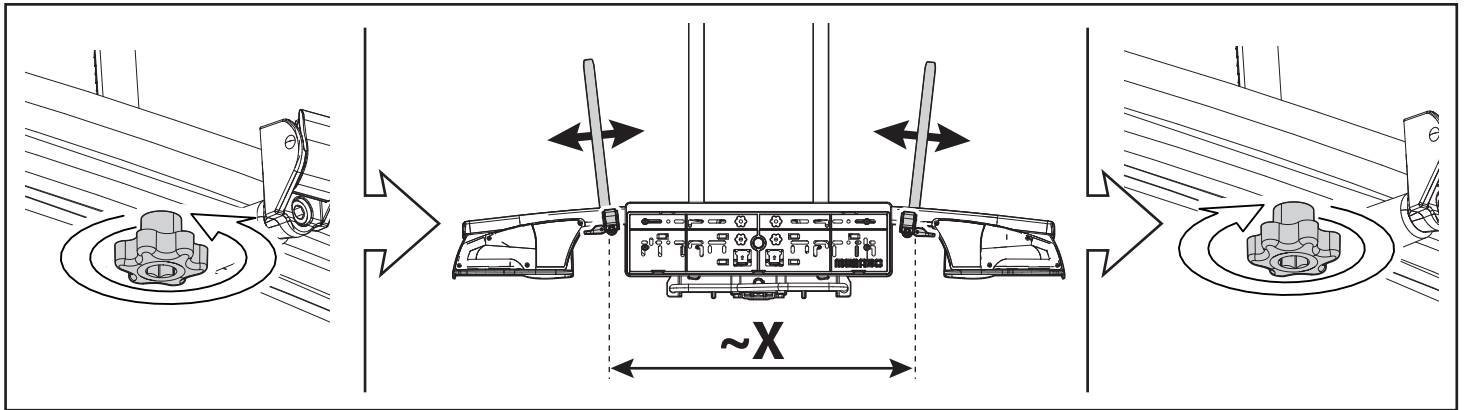
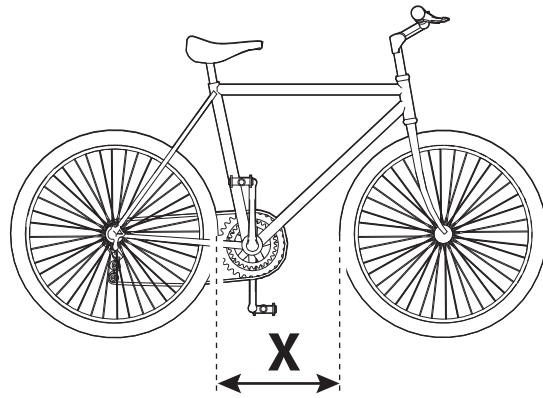


4

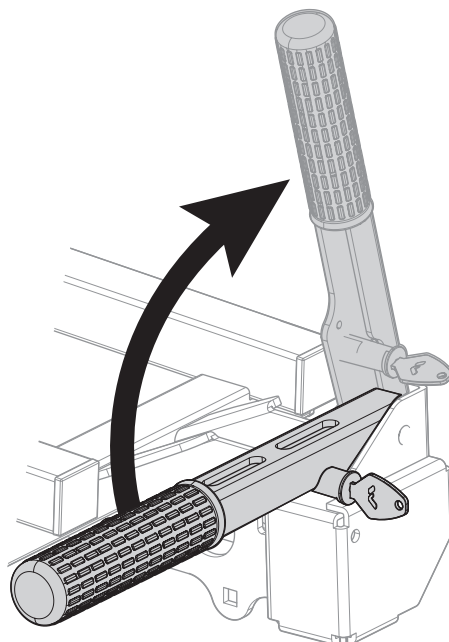
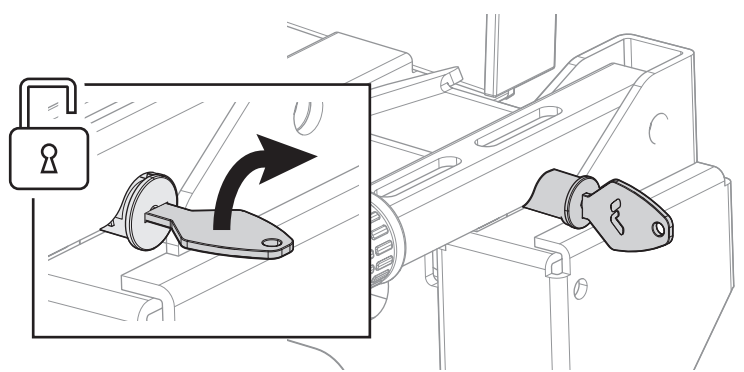
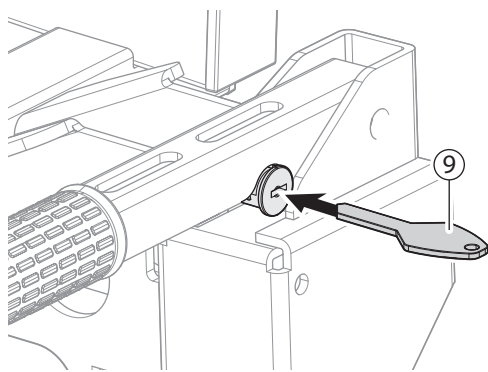
N.		Q.
6		1
12		10

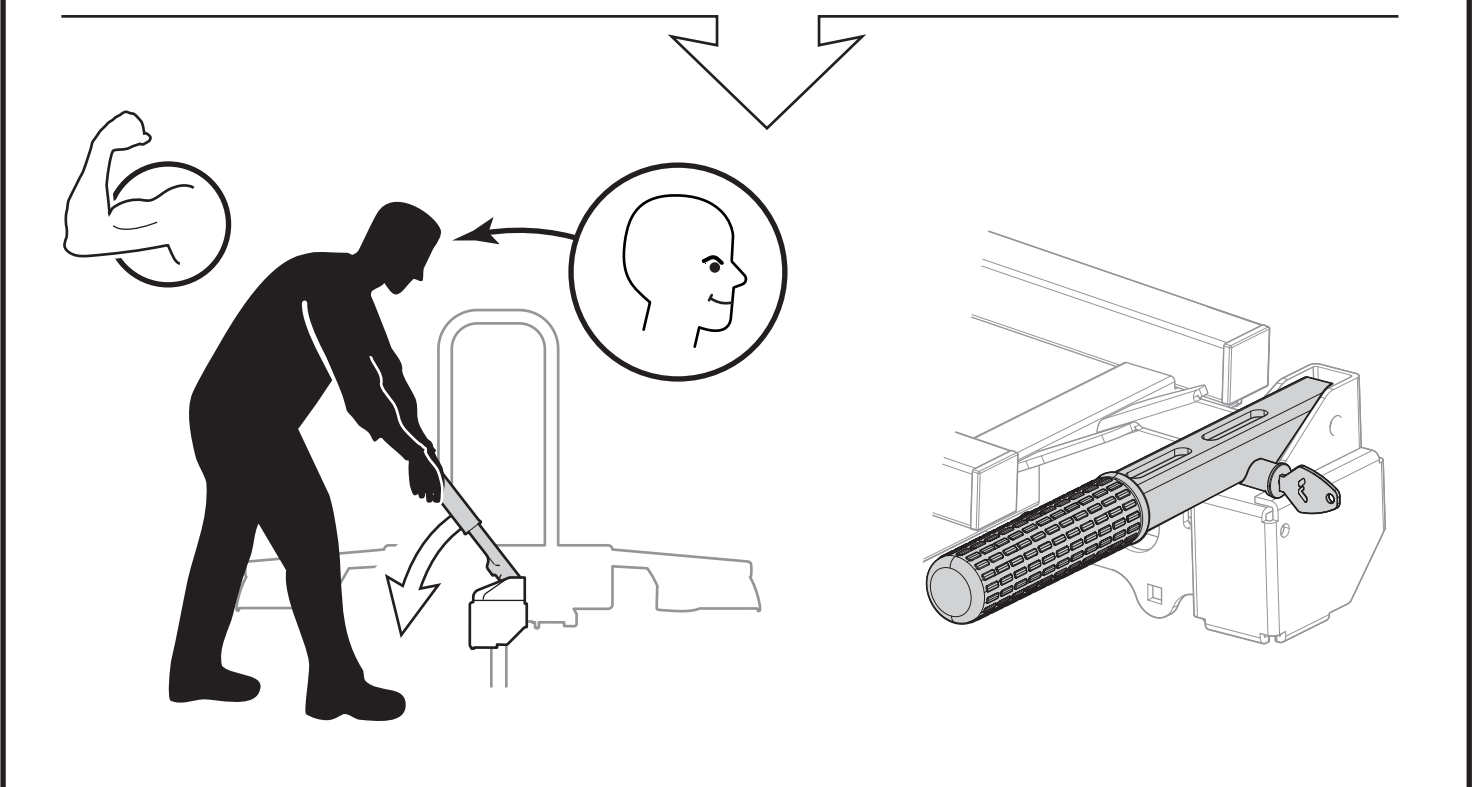
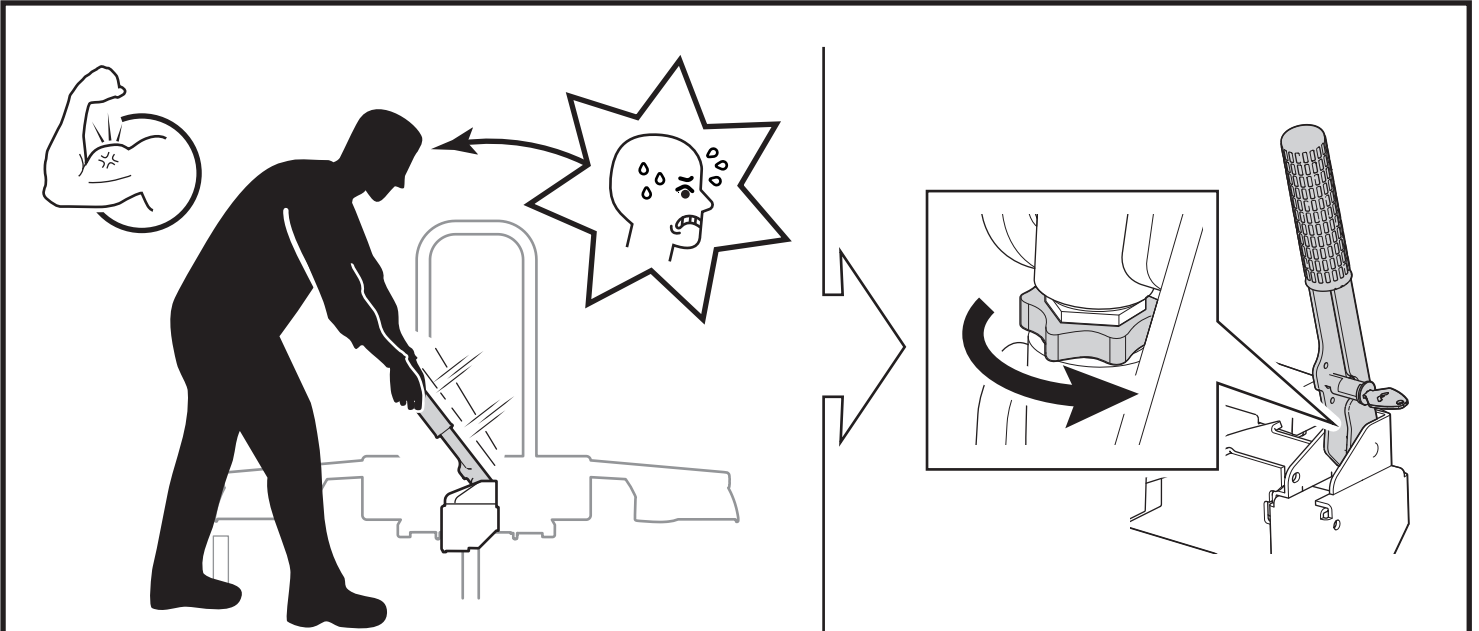
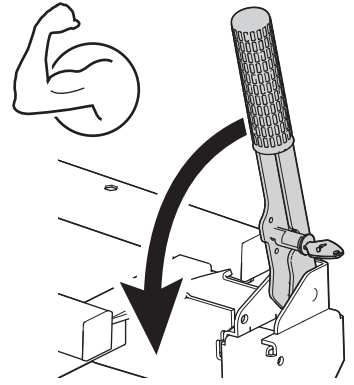
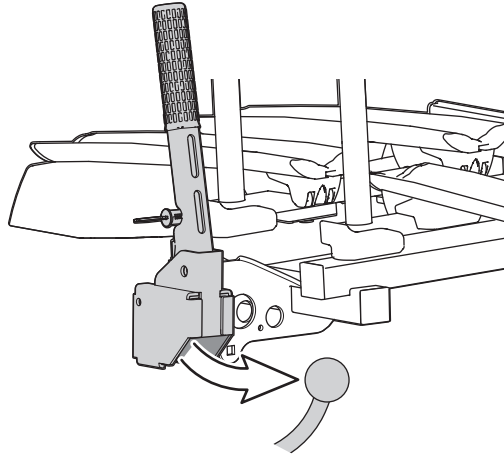
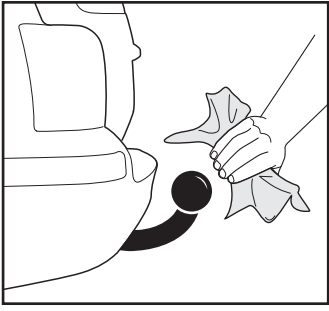


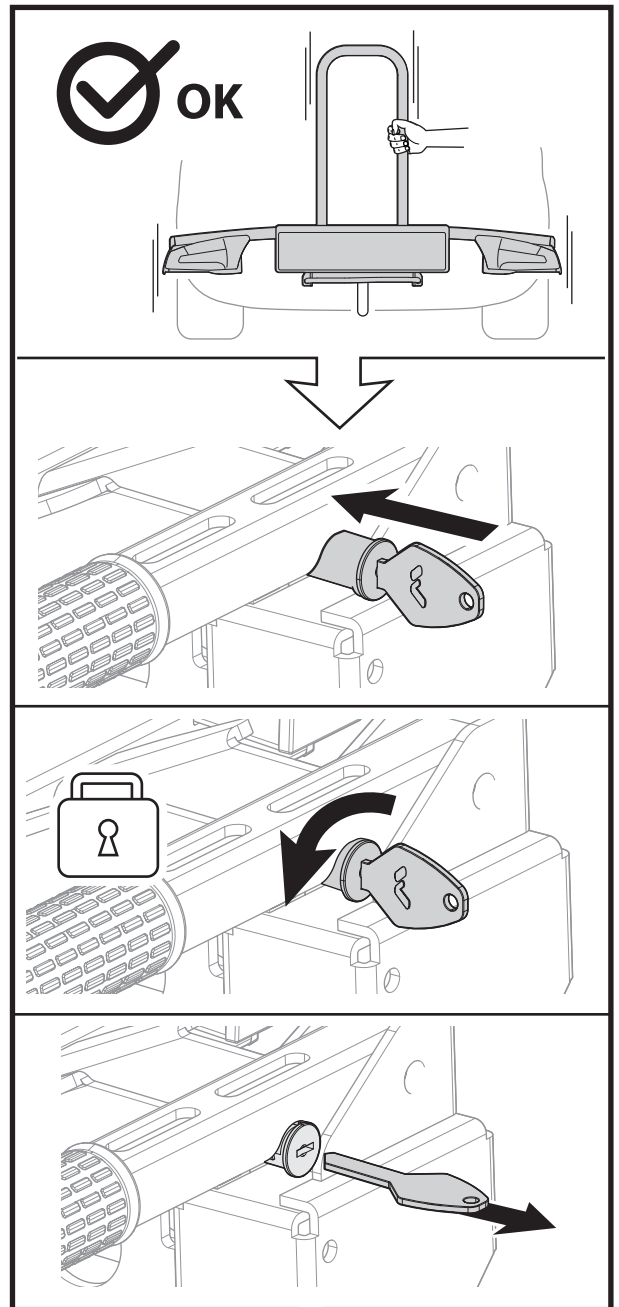
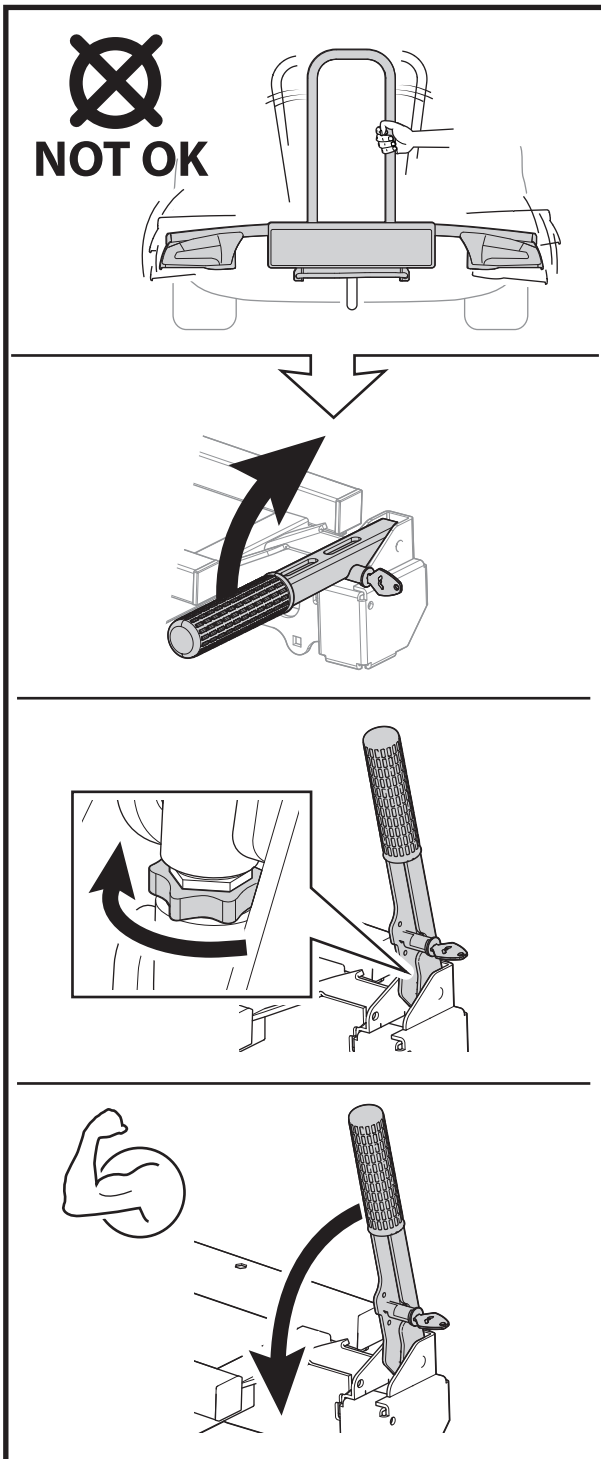
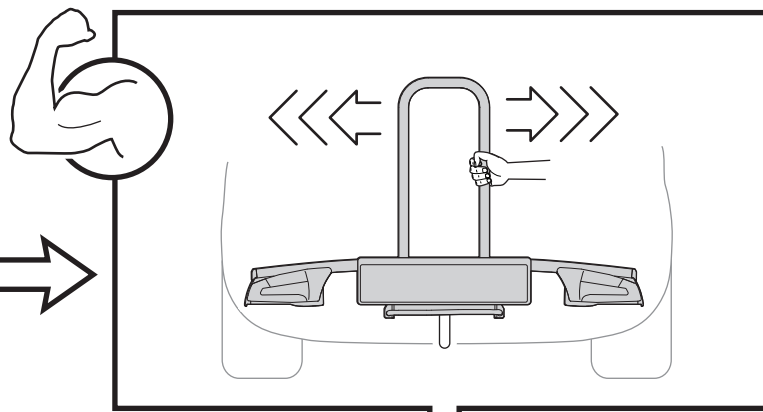
5

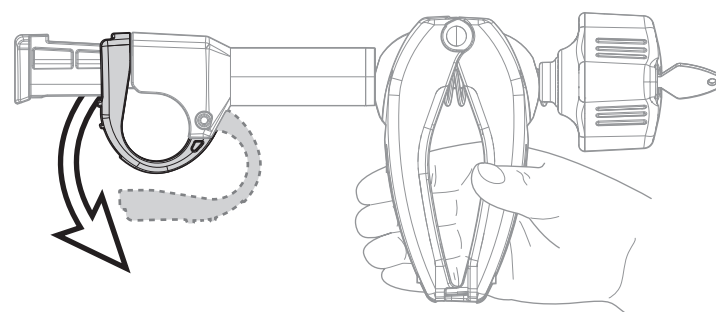
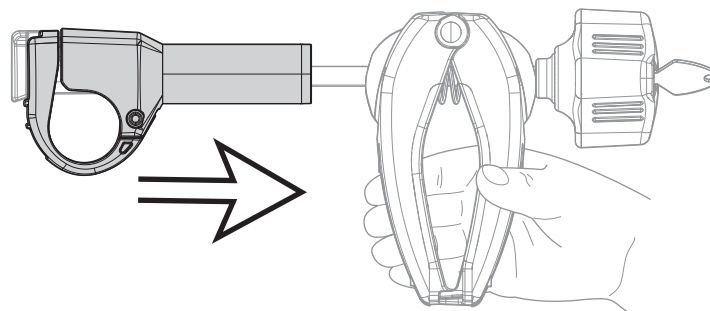
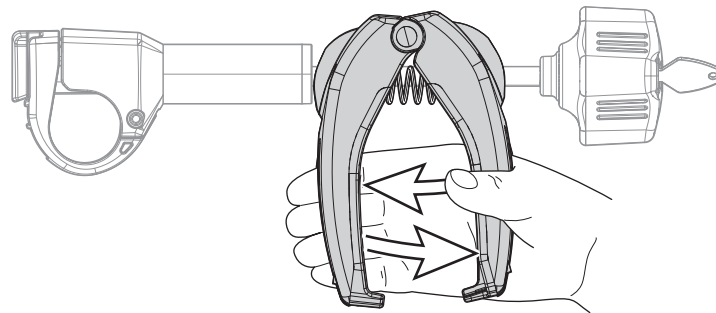
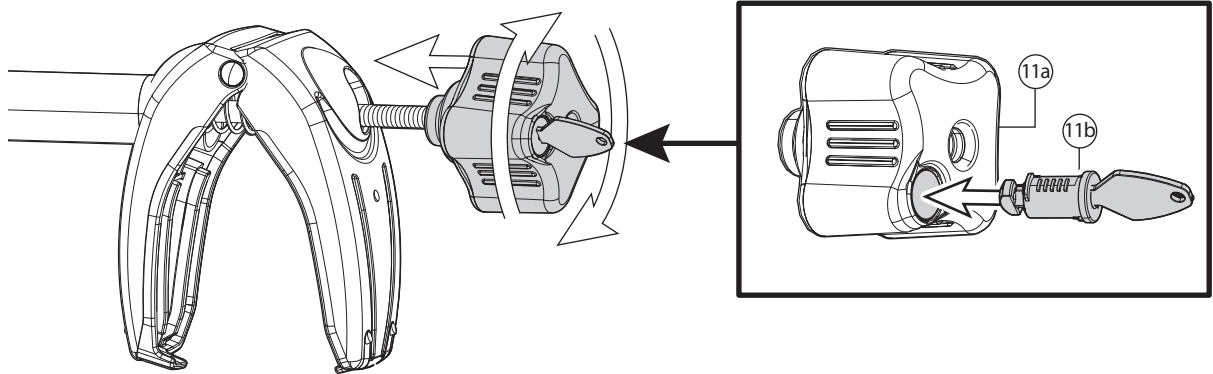
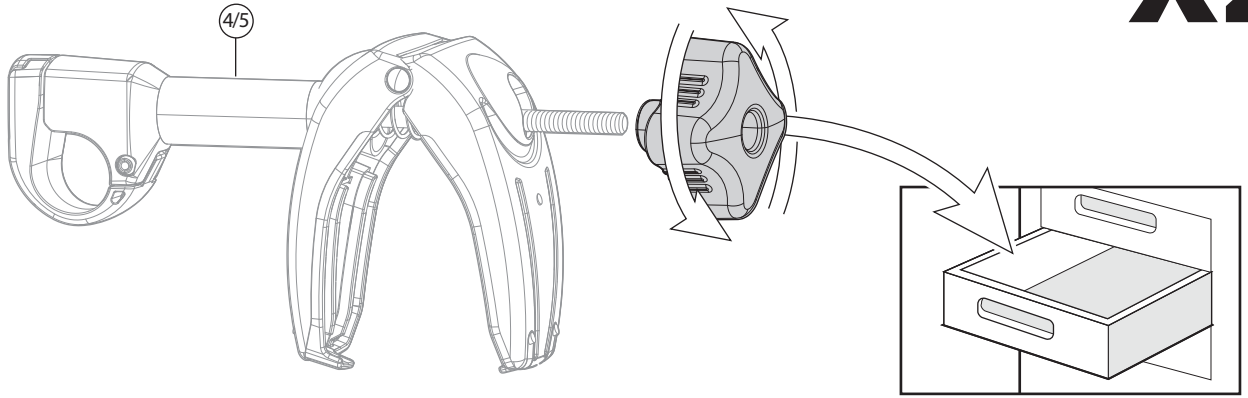


6





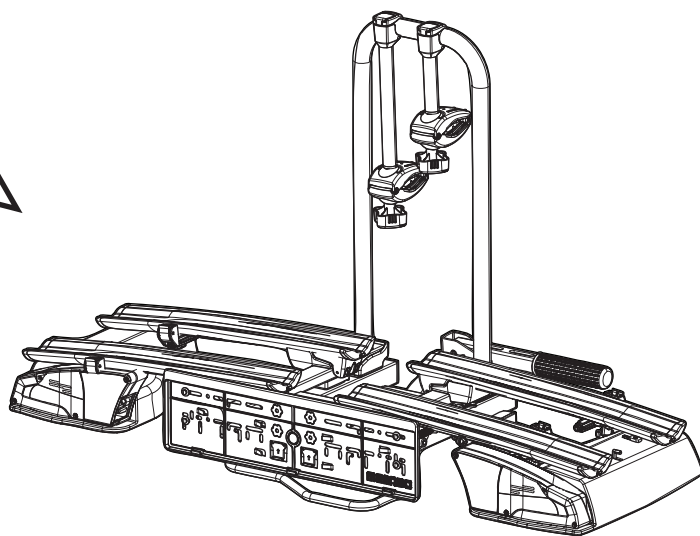
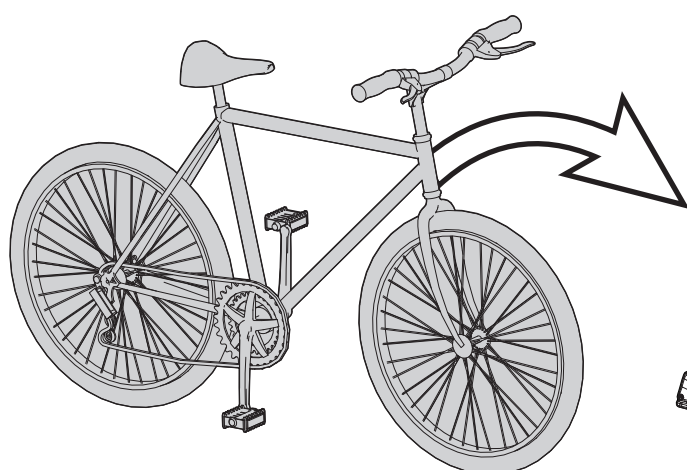
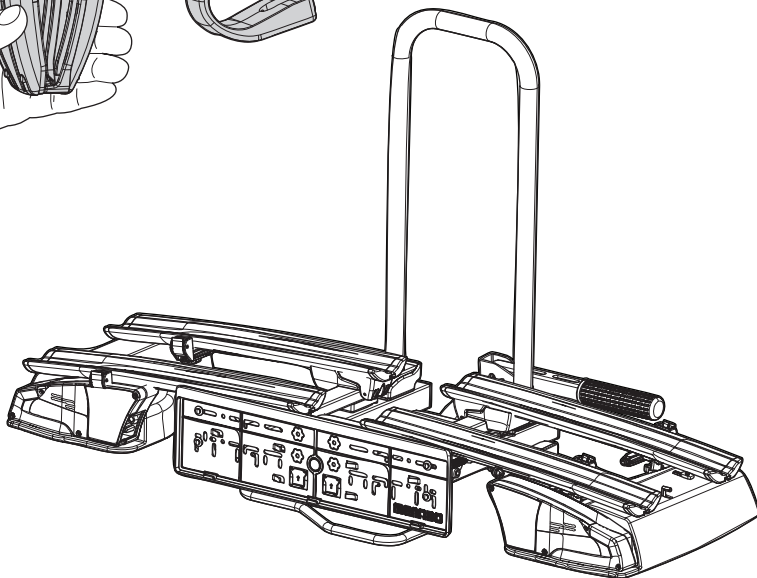
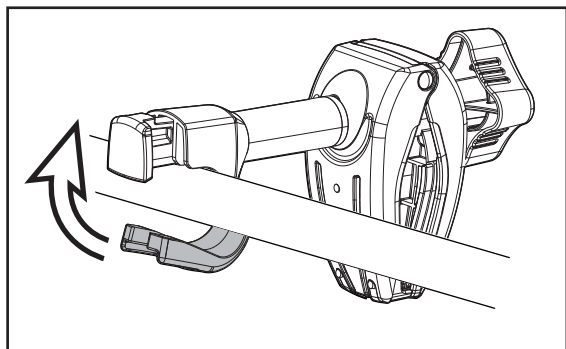
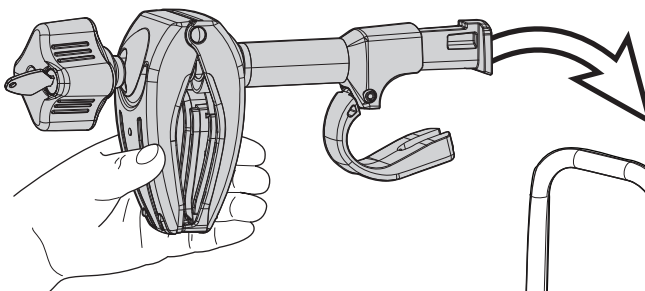










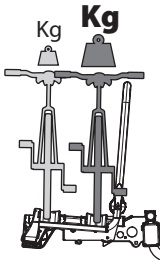
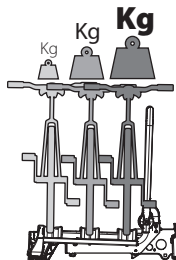


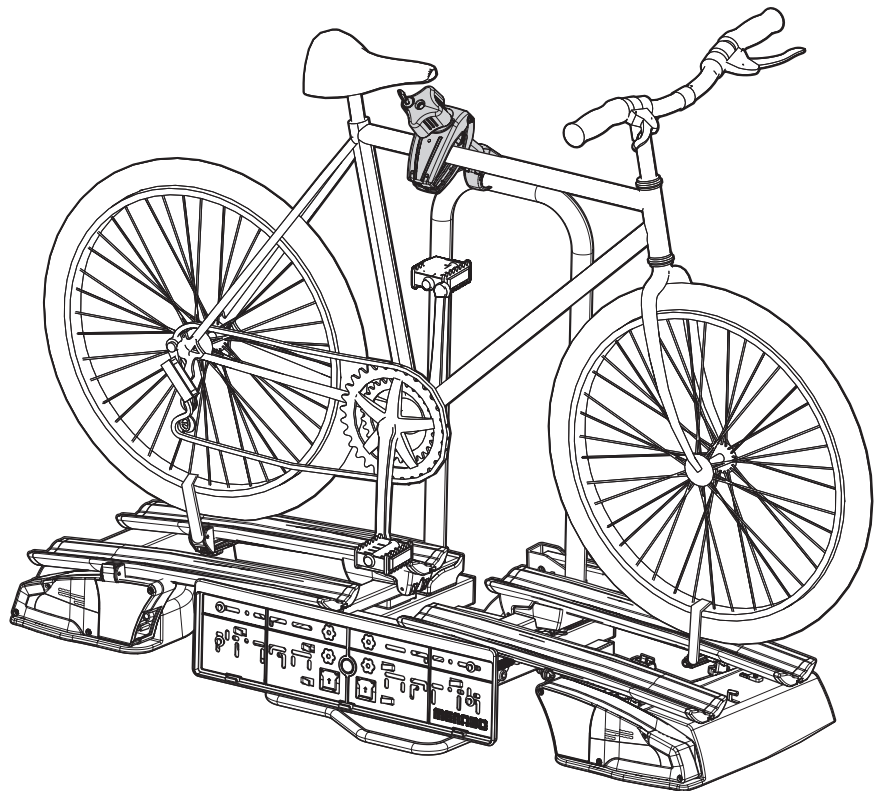
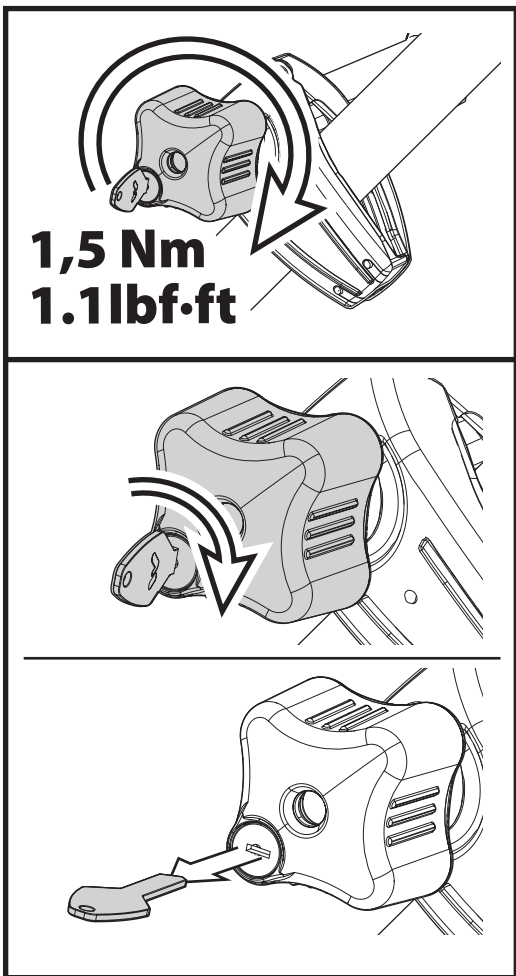
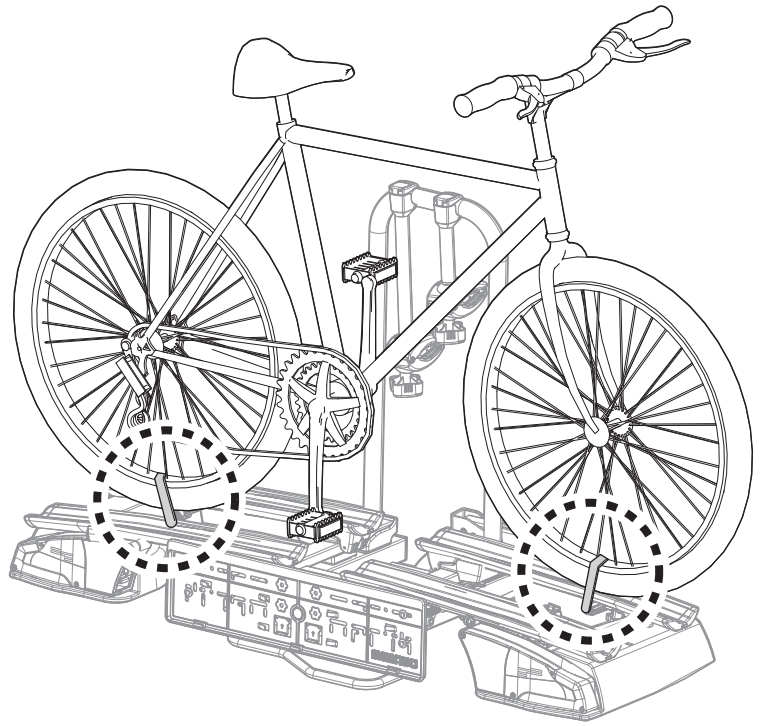
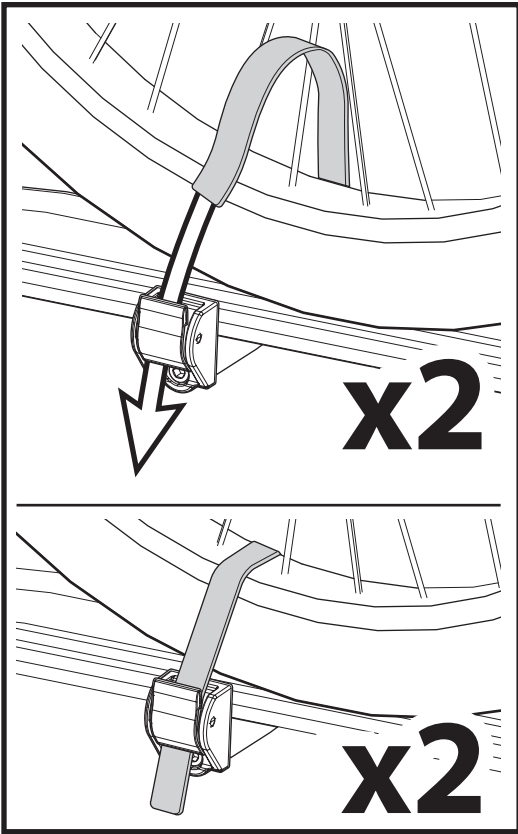
x2

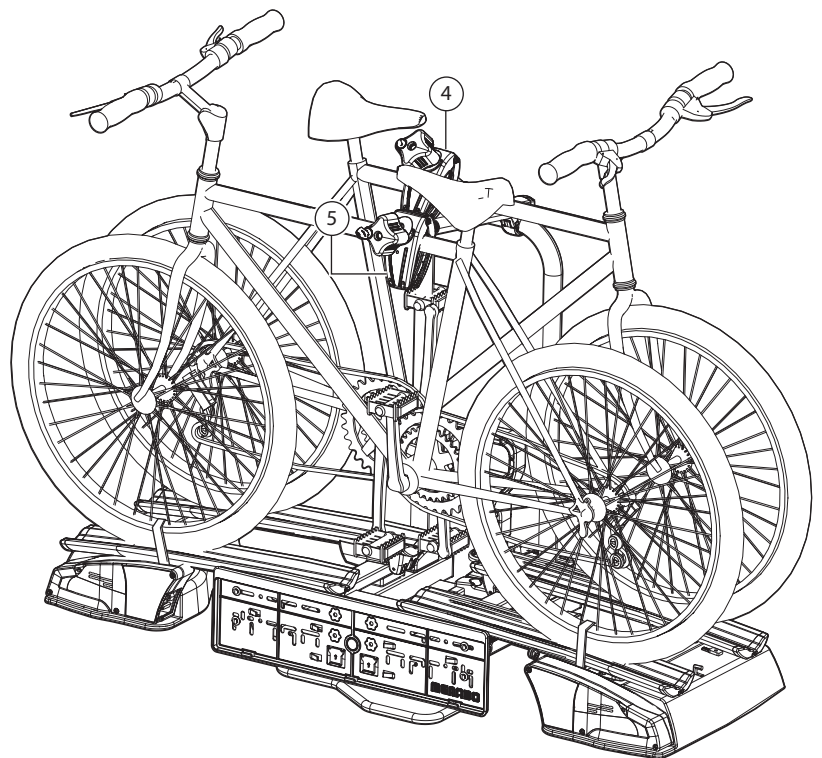
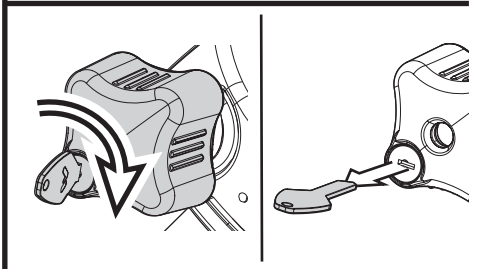
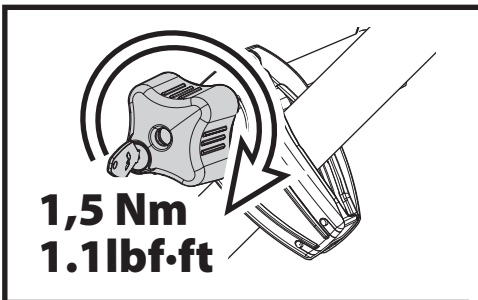
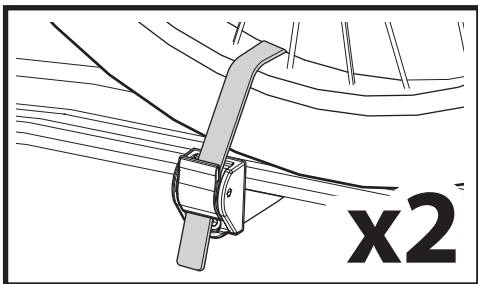
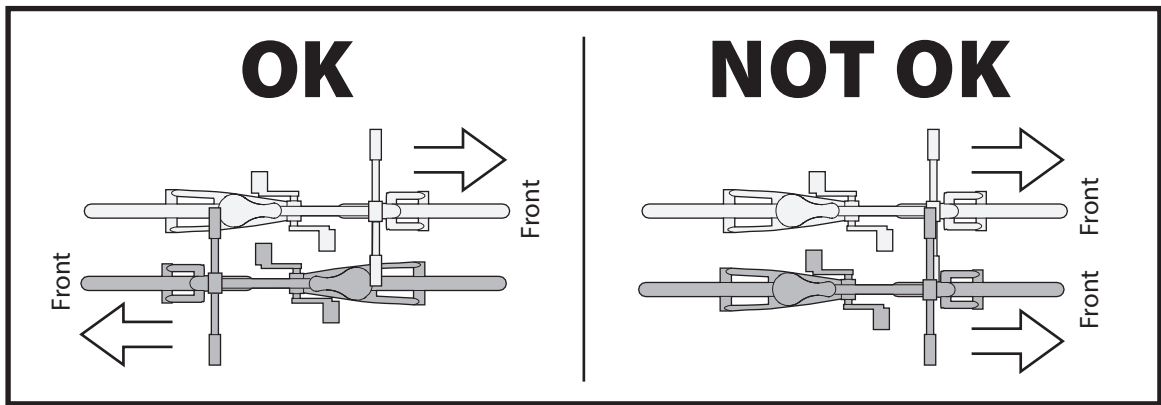
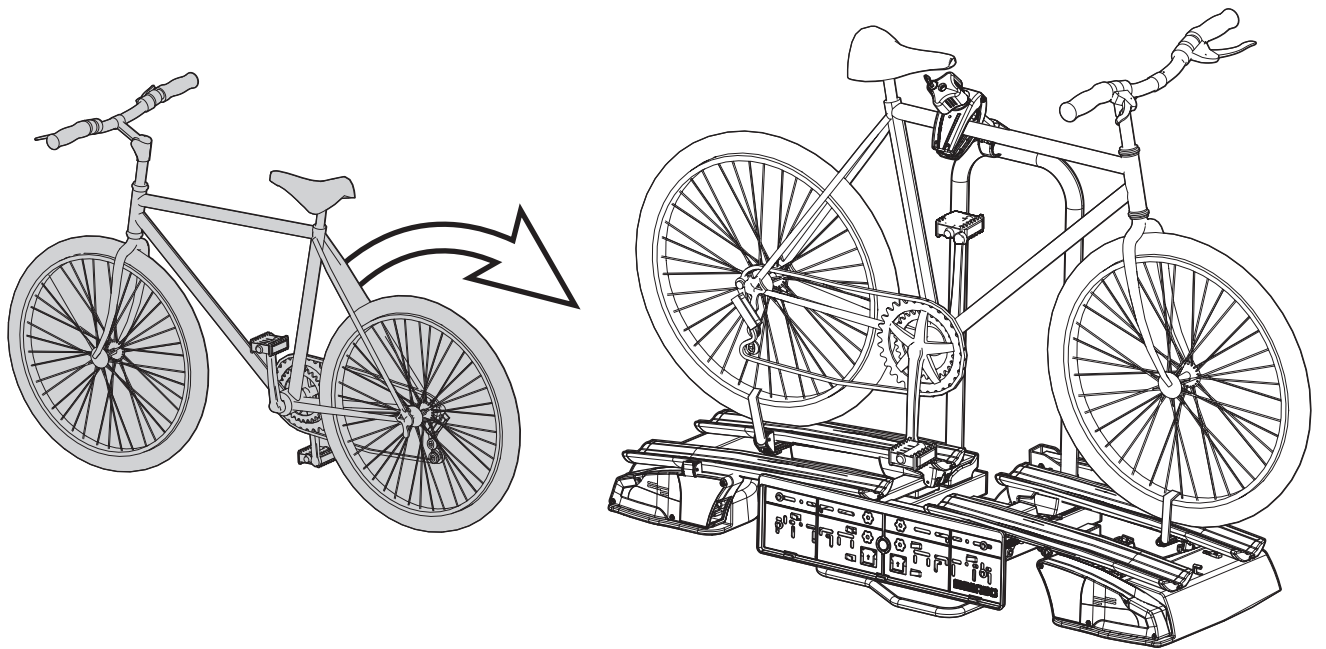
N		Q
4		1
5		1



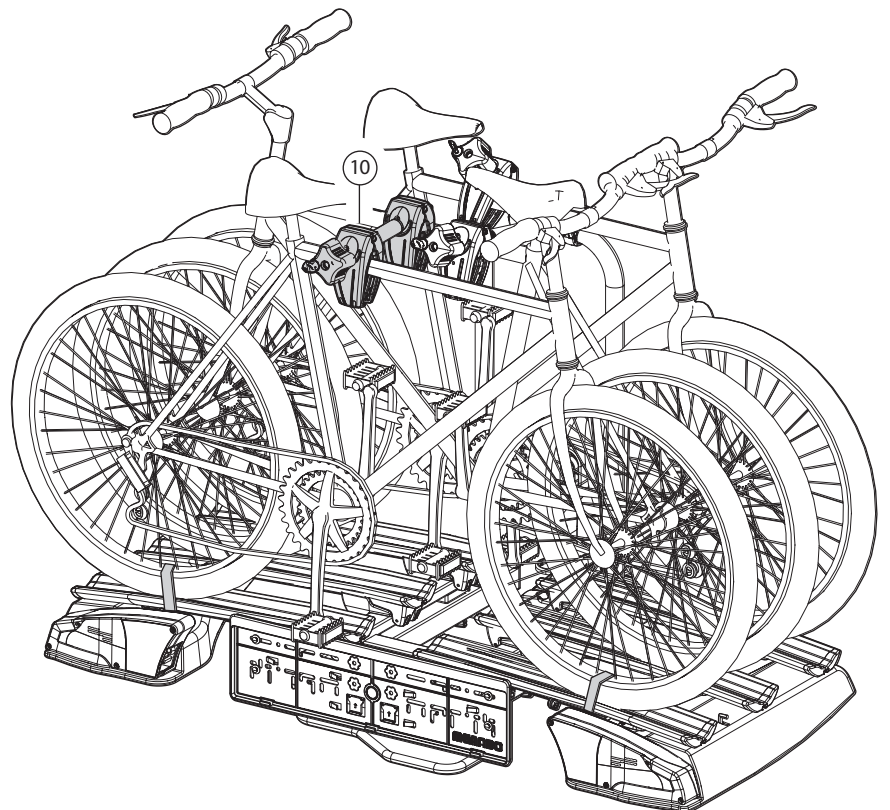
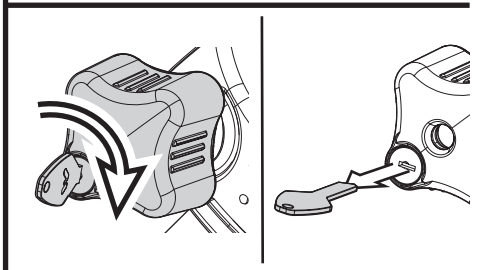
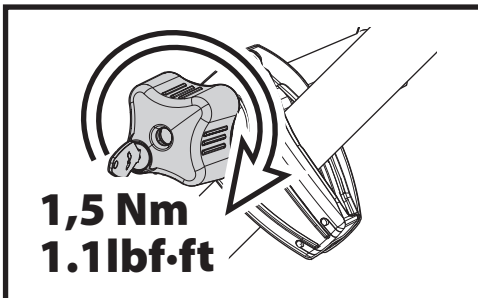
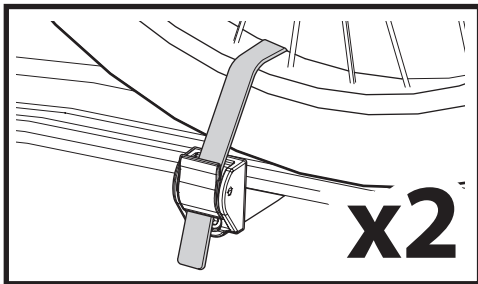
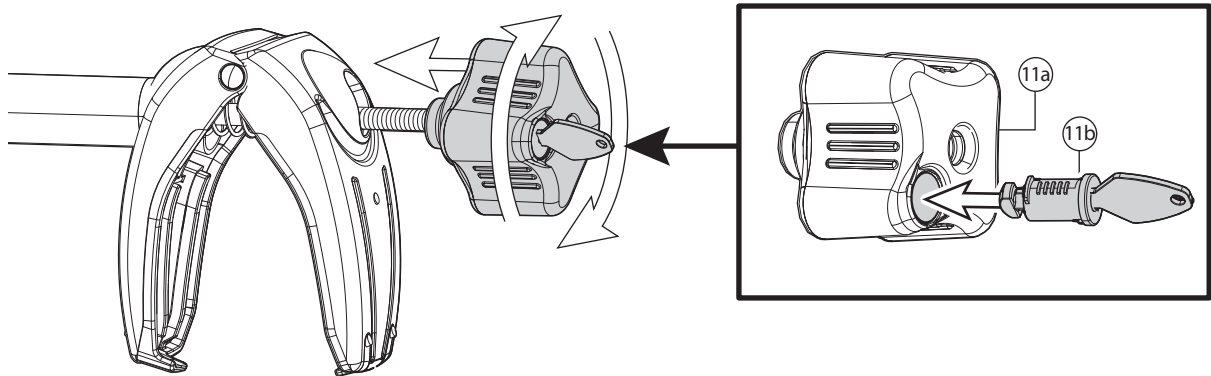
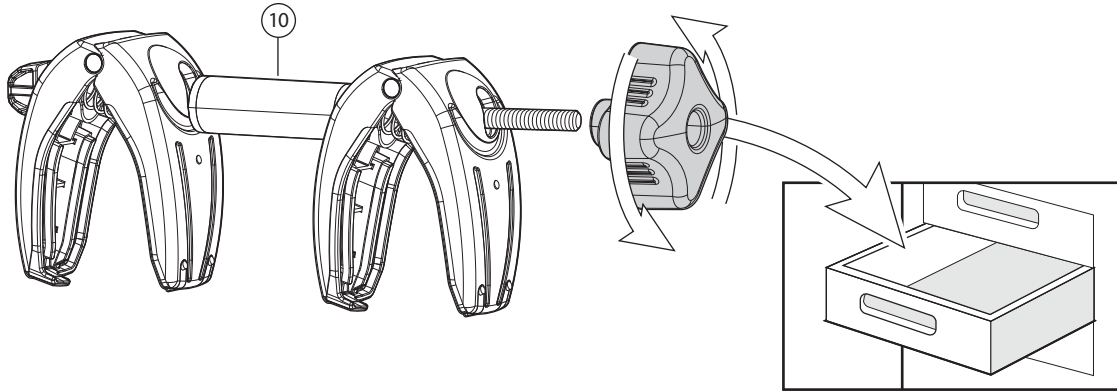
	 MIN Ø23 mm / 1" MAX Ø75 mm / 3"  MIN 30x50 mm / 1.2"x2" MAX 50x75 mm / 2"x 3"	
 MIN 22" MAX 29"	 MAX 110mm / 4.3"	 MAX 1130mm / 44.4"

COSMIC PRO 2	COSMIC PRO 3
Max 60kg / 132lb	Max 60kg / 132lb
 <p>Kg Kg</p>	 <p>Kg Kg Kg</p>



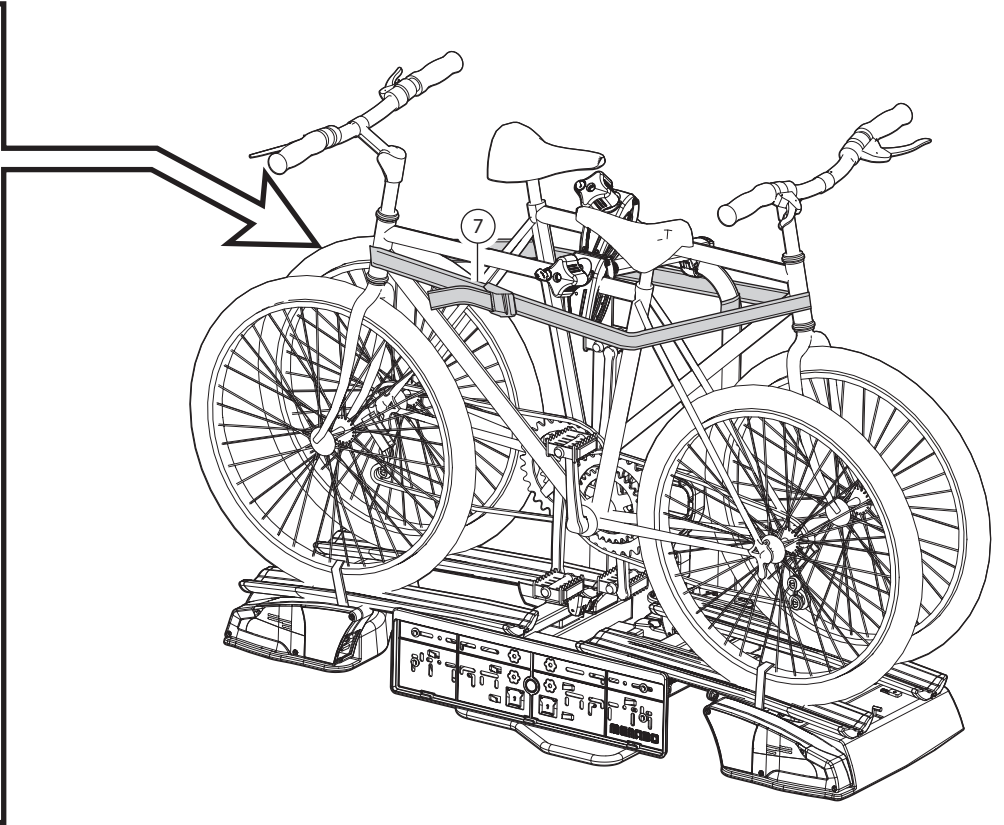
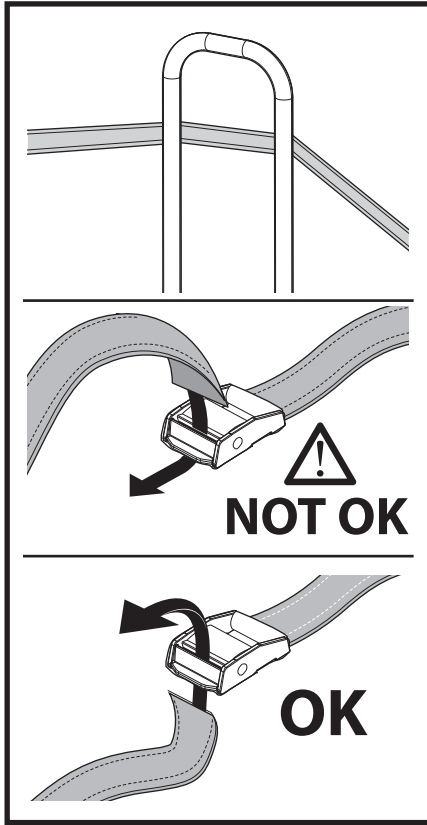


COSMIC PRO 3

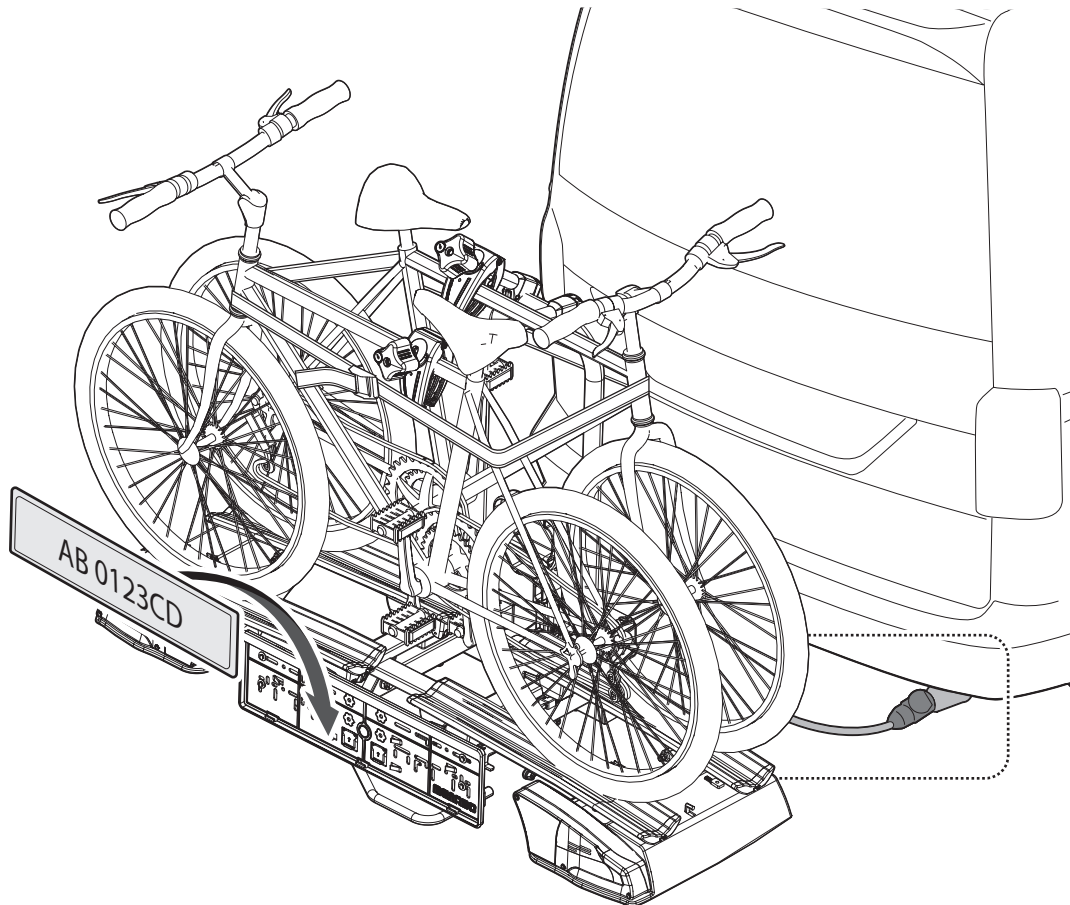
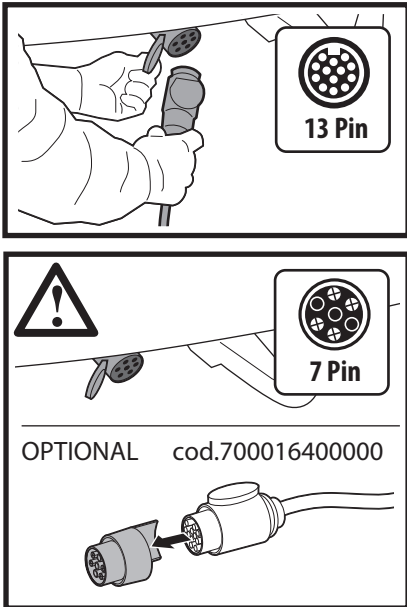


13

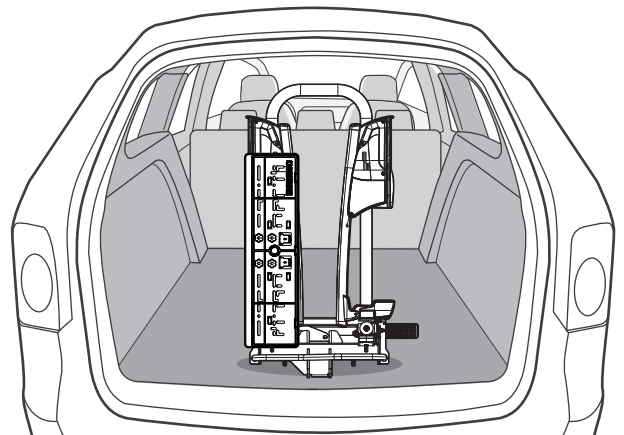
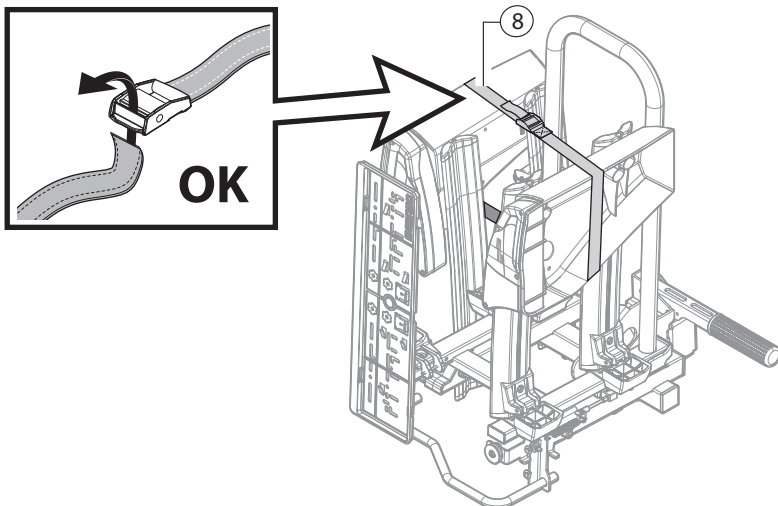
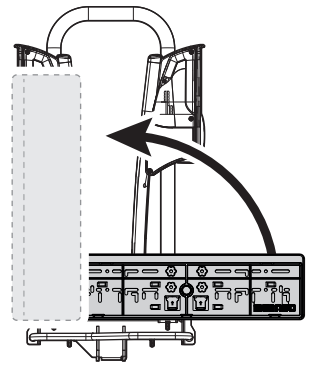
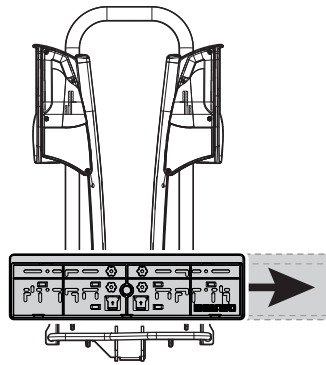
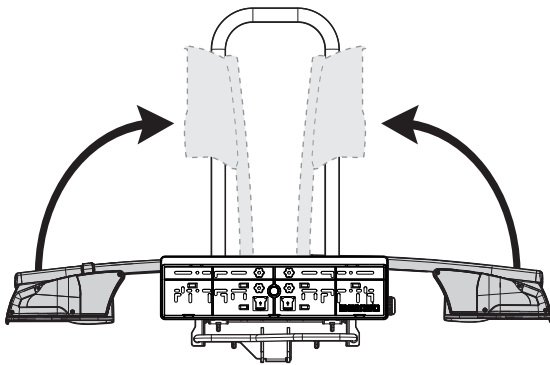
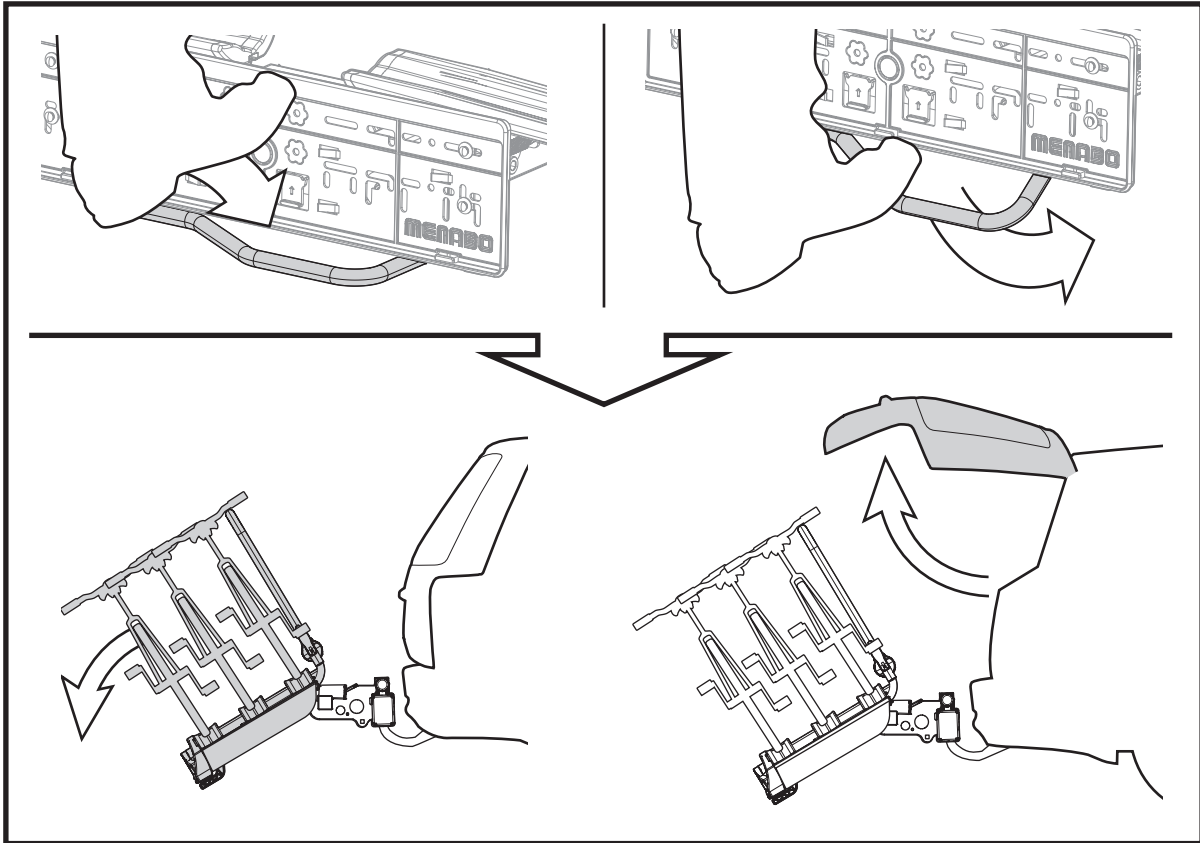
COSMIC PRO 2 / COSMIC PRO 3



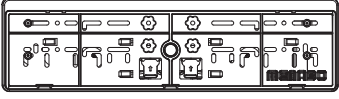
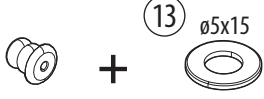
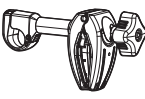
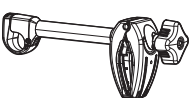


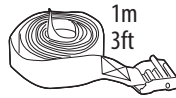
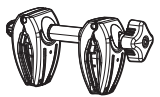
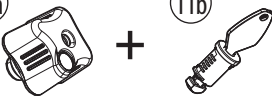

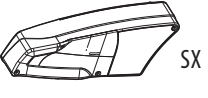
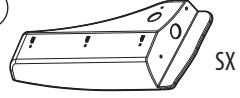

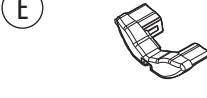

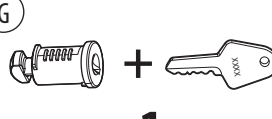

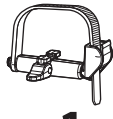
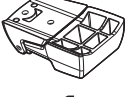
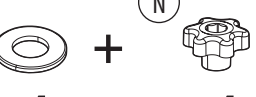
14








TILTING SYSTEM

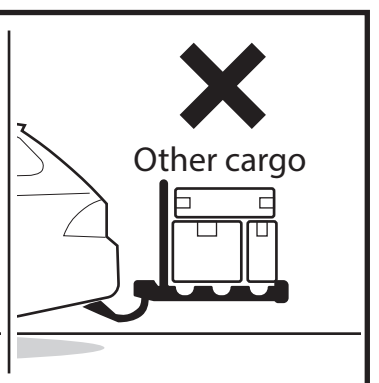
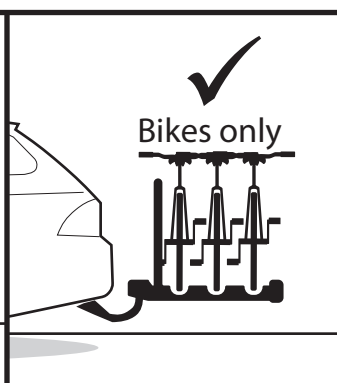
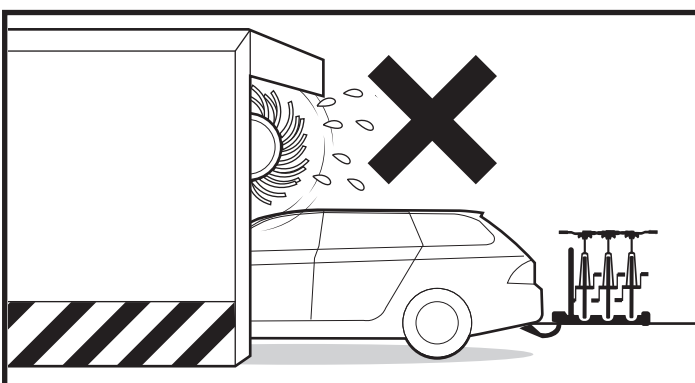
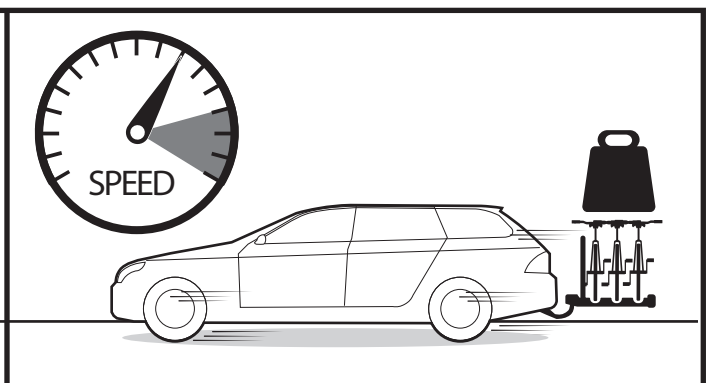
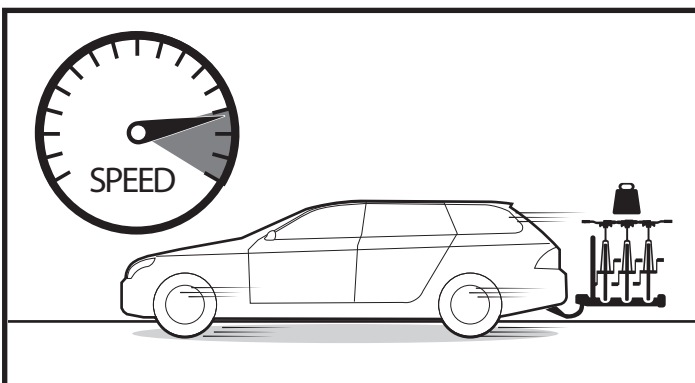
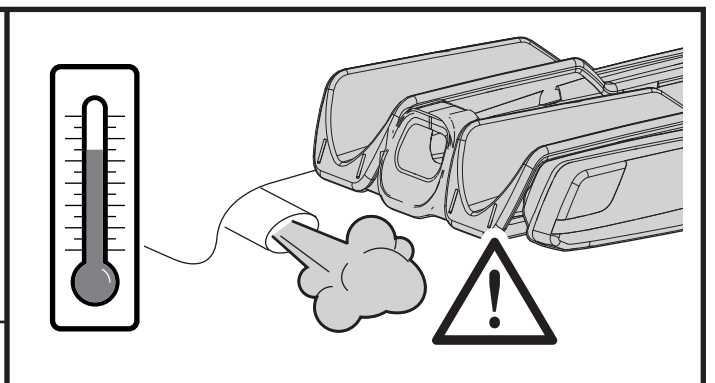
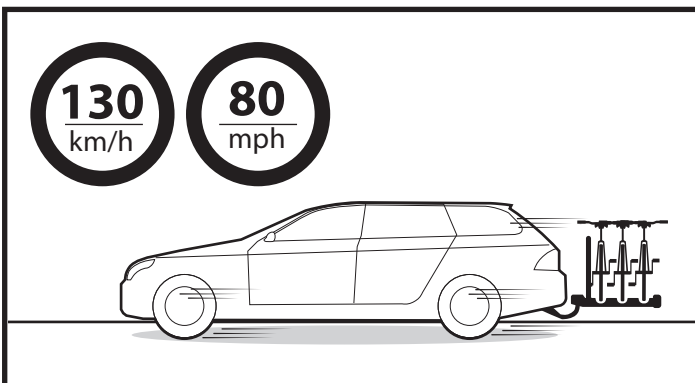
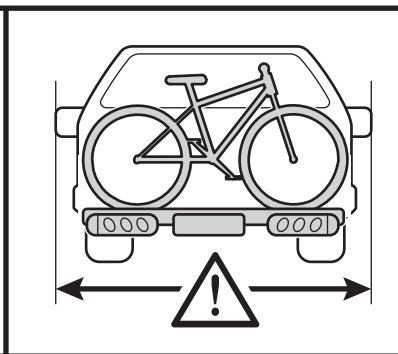
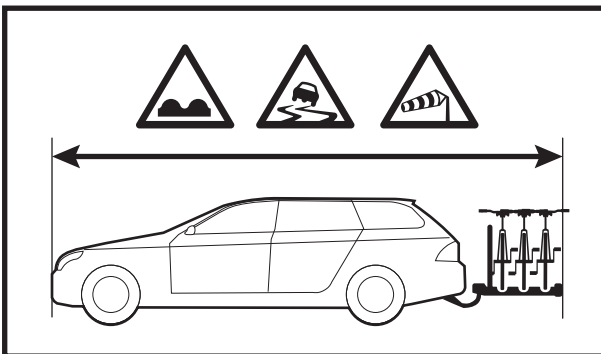


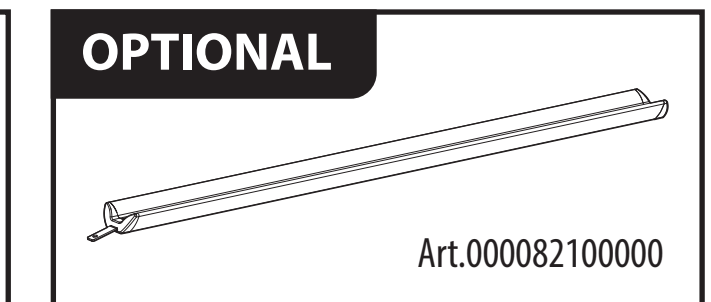
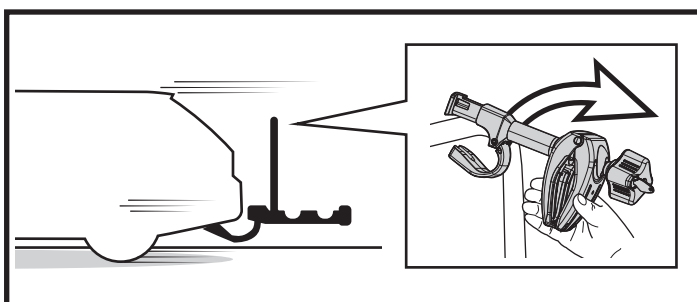
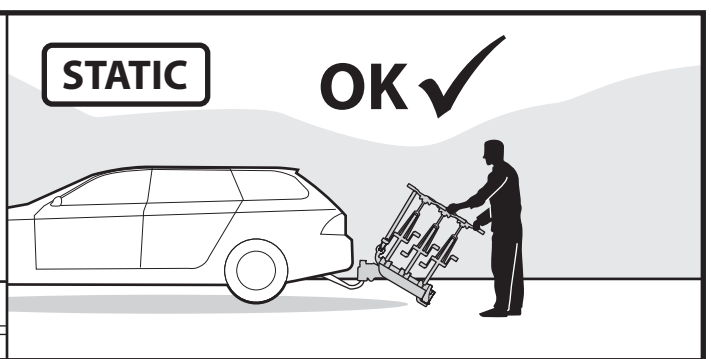
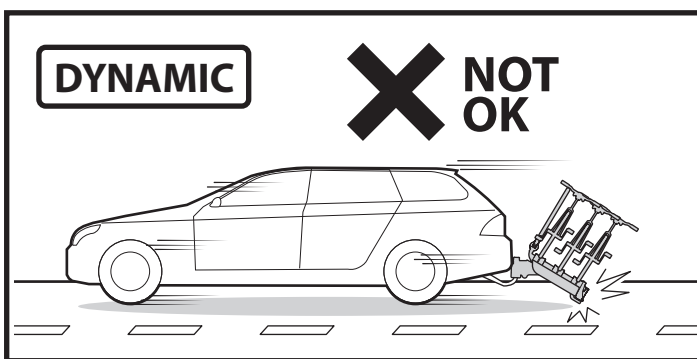
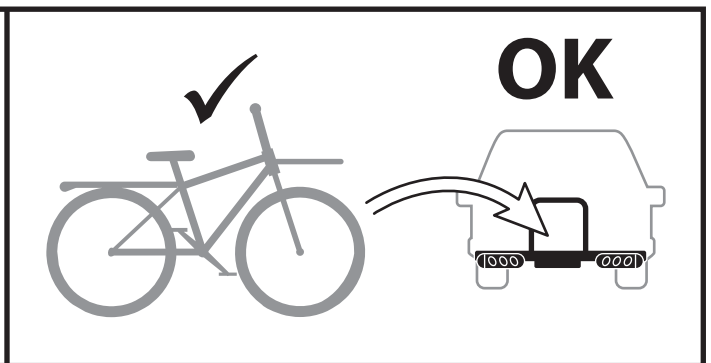
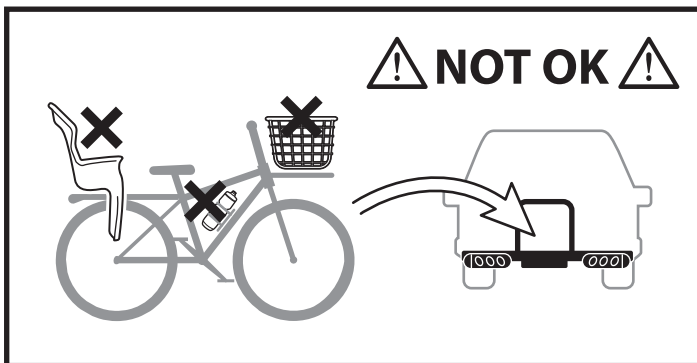
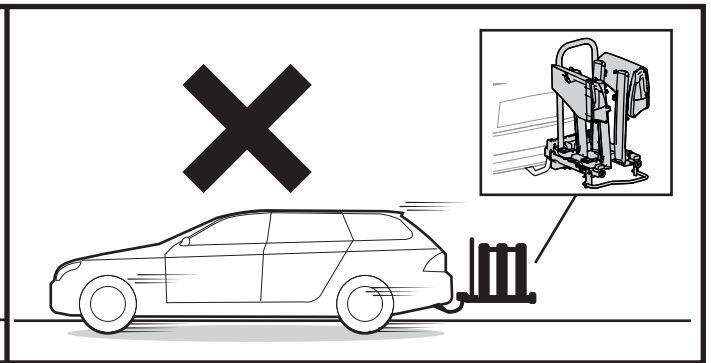
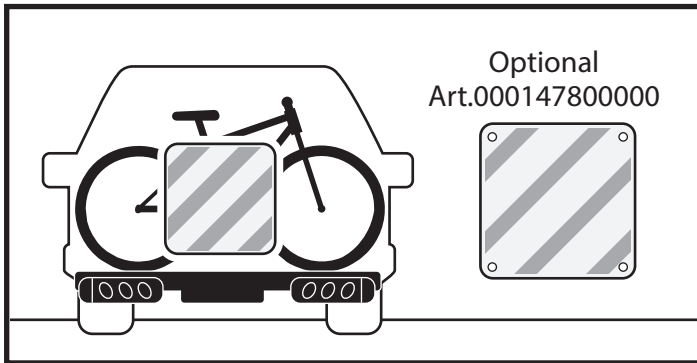
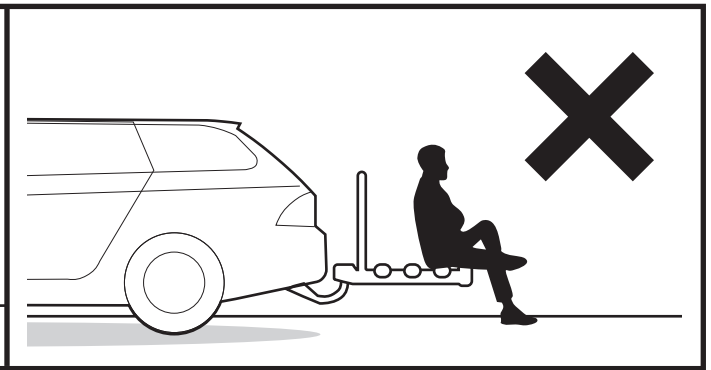
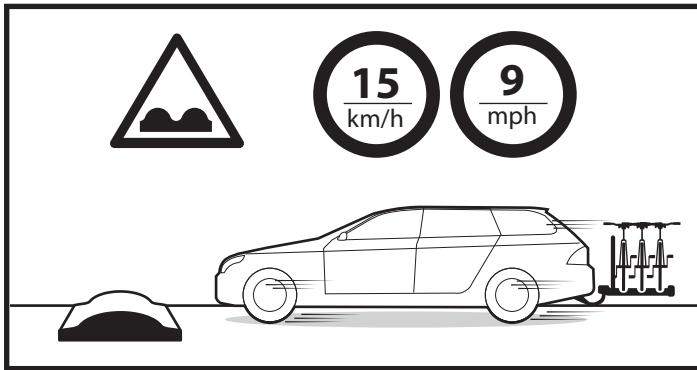
IT) Ricambi (A Richiesta) | EN) Spare Parts (Made to order) | DE) E Teile (auf Anfrage)
 FR) Pièces de rechange (Sur commande) | ES) Piezas de recambio (Previa solicitud)

 <p>x1</p> <p>700007500000</p>		 <p>x4 + x4</p> <p>700044400000</p>		 <p>x1</p> <p>000128900000</p>	
 <p>x1</p> <p>000129000000</p>	 <p>x1</p> <p>700033600000</p>	 <p>x1</p> <p>700001100000</p>	 <p>x1</p> <p>700033400000</p>		
 <p>x1</p> <p>000129100000</p>		 <p>x1</p> <p>000026400000</p>		 <p>x2</p> <p>700024000000</p>	
 <p>x1</p> <p>700033800000</p>		 <p>x1</p> <p>700034000000</p>		 <p>x1</p> <p>700033900000</p>	
 <p>x2</p> <p>700034100000</p>		 <p>x1</p> <p>700035500000</p>		 <p>x1</p> <p>700046000000</p>	
 <p>x1</p> <p>700007800000</p>		 <p>x1</p> <p>700053800000</p>			
 <p>x1</p> <p>700045200000</p>		 <p>x4 + x4</p> <p>700049700000</p>			

MAX 94/20/CE STANDARD	 COSMIC PRO 2	 x2 Standard bike/ Fat bike/ E-bike
50 kg - 110.2 lb	19 kg - 42 lb	31 kg - 68.2 lb
60 kg - 132.3 lb		41 kg - 90.3 lb
70 kg - 154.3 lb		51 kg - 112.4 lb
80 kg - 176.4 lb		61 kg - 134.4 lb
>80 kg - 176.4 lb		61 kg - 134.4 lb

MAX 94/20/CE STANDARD	 COSMIC PRO 3	 x3 Standard bike Fat bike	 x2 E-bike
50 kg - 110.2 lb	22,2 kg - 49lb	27,8 kg - 61.3 lb	
60 kg - 132.3 lb		37,8 kg - 83.3 lb	
70 kg - 154.3 lb		47,8 kg - 105.3 lb	
80 kg - 176.4 lb		57,8 kg - 127.4 lb	
>80 kg - 176.4 lb		57,8 kg - 127.4 lb	







F.lli Menabò S.r.l.
Via 8 Marzo, 3 -Z.I. Corte Tegge
42025 Cavriago (RE) ITALY
customercare@flli-menabo.it
www.menabocaraccessories.com



500050700000
31/03/2026