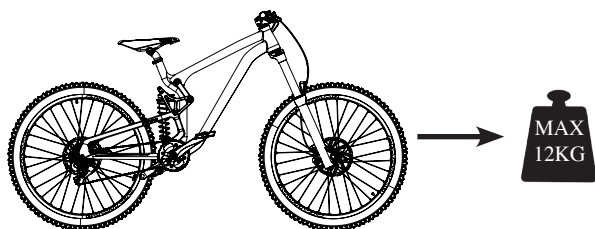
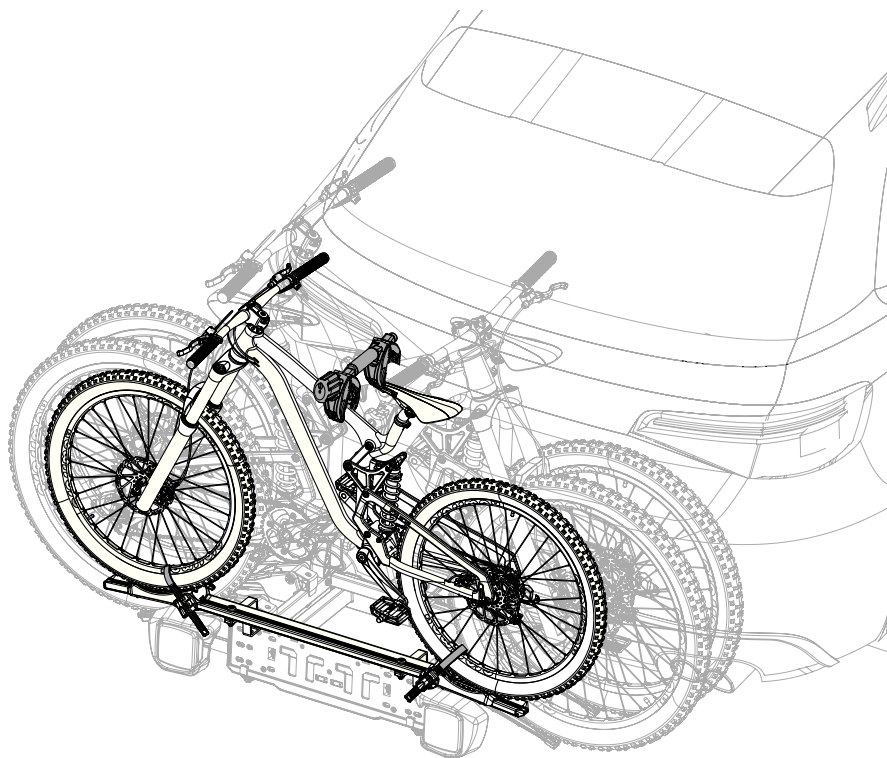


# Instructions

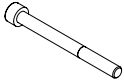




x2



x2



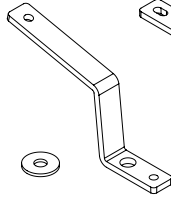
x2



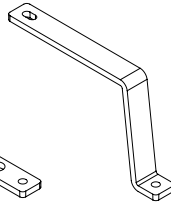
x4



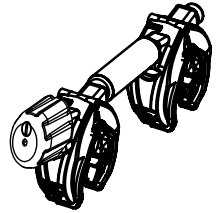
x4



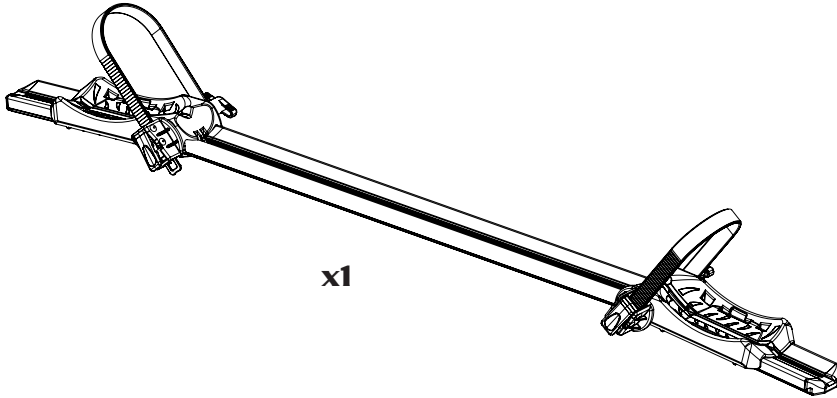
x2



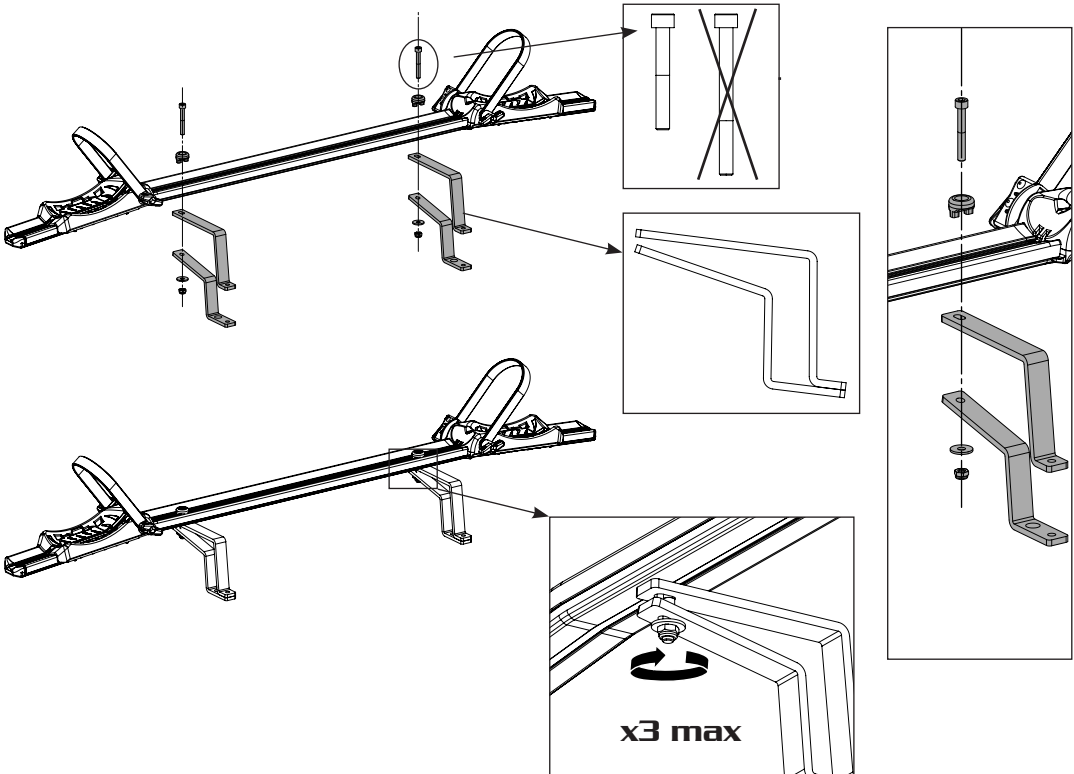
x2



x1



x1



x3 max

